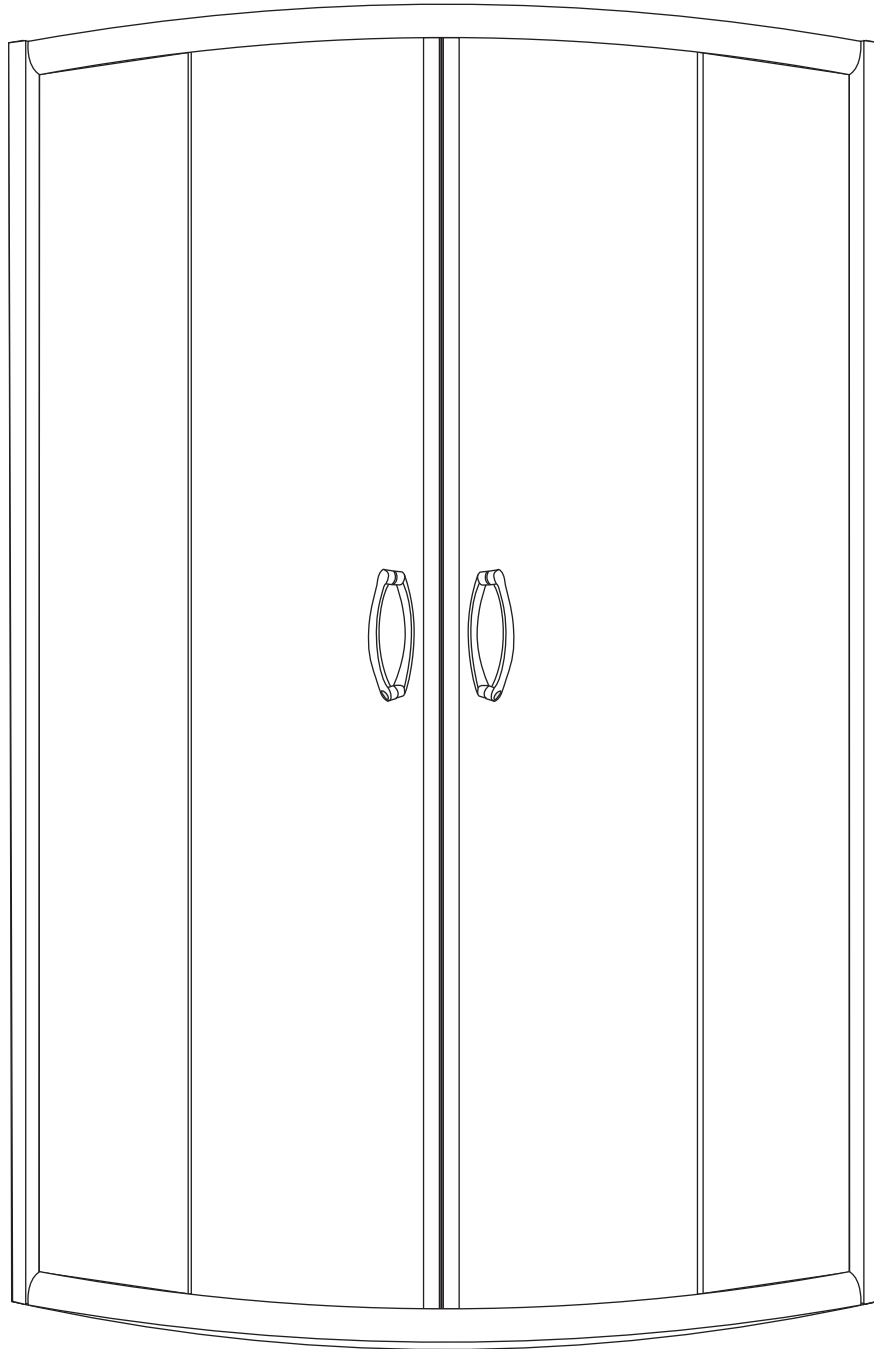


BR-021

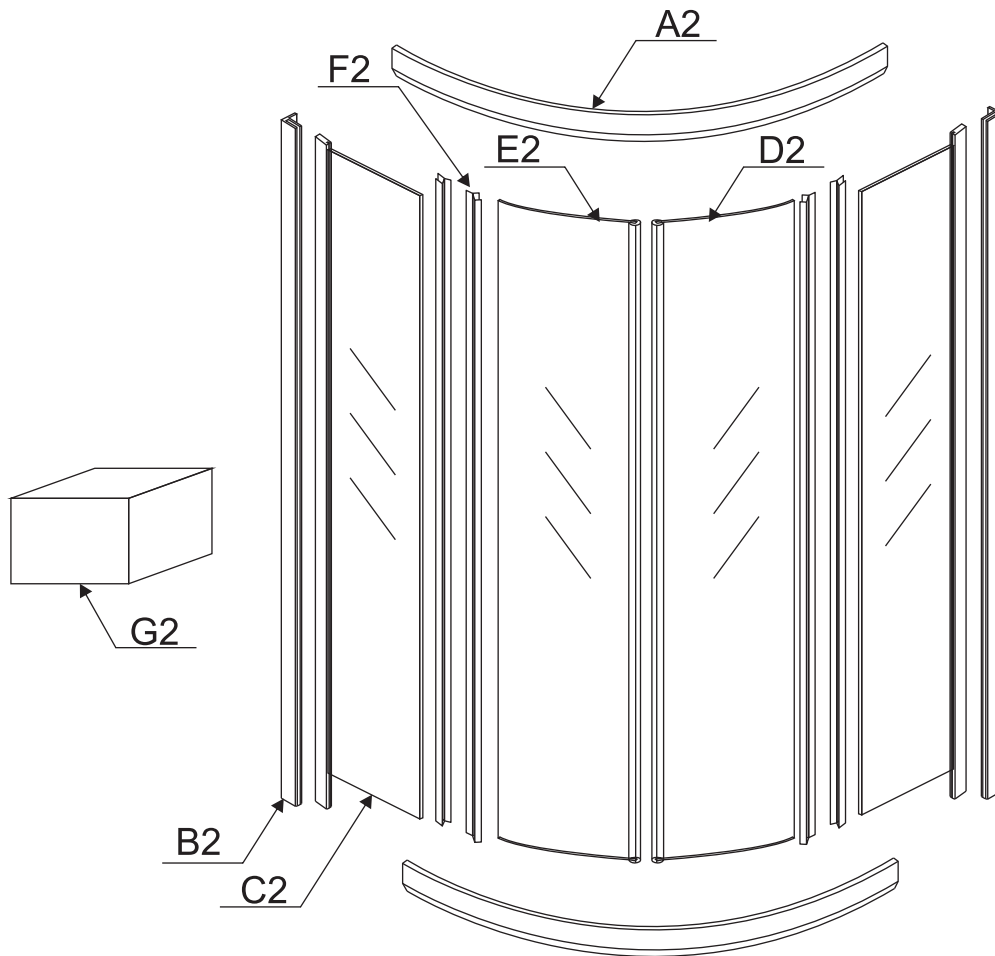
Installation instructions



SIZE:80*80*185 CM
SIZE:90*90*185 CM

BR-021

Installation instructions



Ref	Description	Qty
A2	ARC PROFILE	2
B2	WALL PROFILE	2
C2	SIDE PANEL	2
D2	RIGHT SLIDING DOOR	1
E2	LEFT SLIDING DOOR	1
F2	VERTICAL SEAL FOR FIXED GLASS	4
G2	FIXING KIT	1

G2 Fixing kit includes

Ref	Description	Illustration	Qty
A3	handle		2
B3	Top-wheel		4
C3	Down-wheel		4
D3	u-shaped clip		4
E3	stainless steel screws: 3,5*35mm		8
F3	stainless steel screws: 4*25mm		8
G3	stainless steel screws: 4*10mm small head		4
H3	stainless steel screws: 4*10mm big head		8
I3	expandable wall plug		8
J3	Drill beat head 3mm		1
K3	Washer for wheel		8

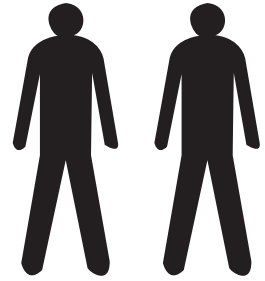
BR-021

Installation instructions

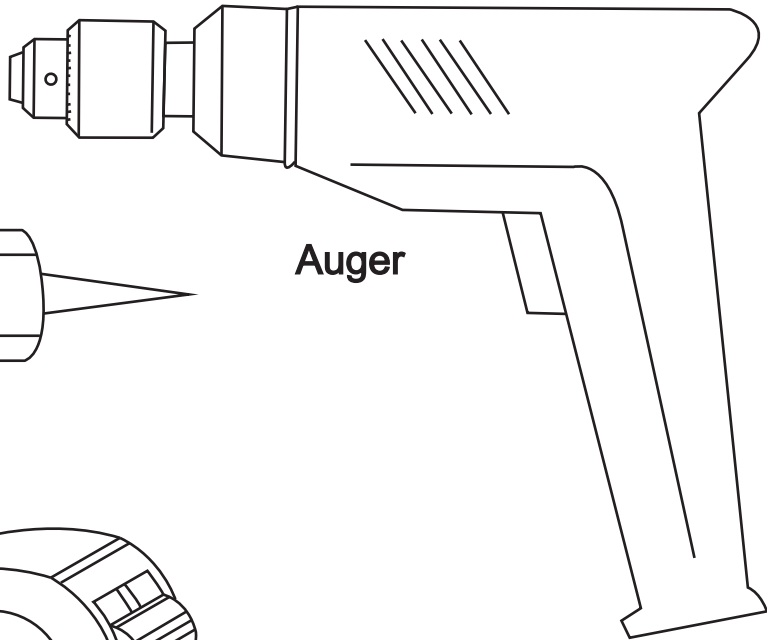
TOOLS REQUIRED(NOT SUPPLIED)

when you're ready to start,make sure that you have the following tools to hand,plenty of space and a clean dry area for assembly.

Two people are needed. Please note:although these instructions are comprehensive,We always recommend that a technically competent installer should undertake installation.

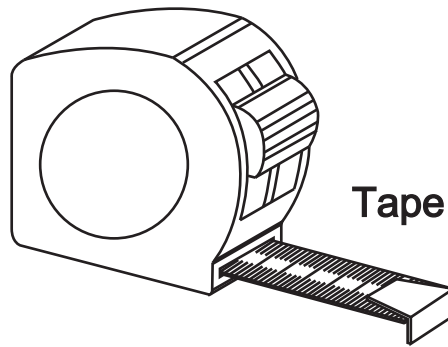
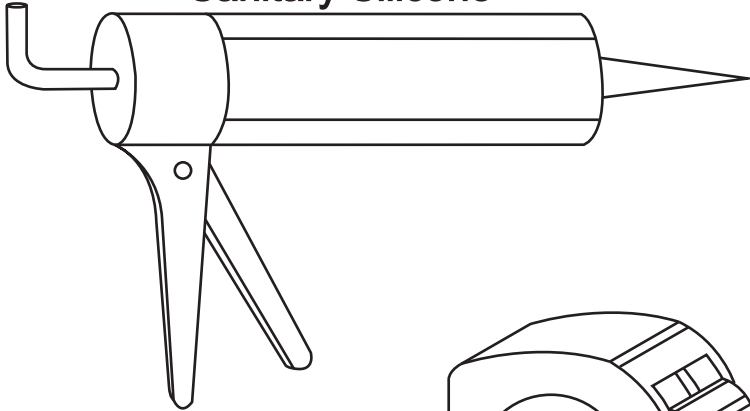


Drill beat head
5.5mm

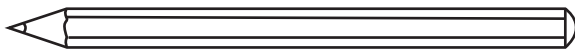


Auger

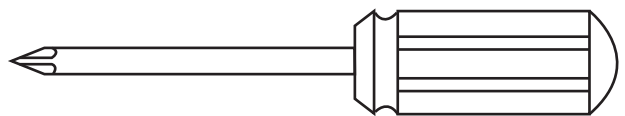
Sanitary Silicone



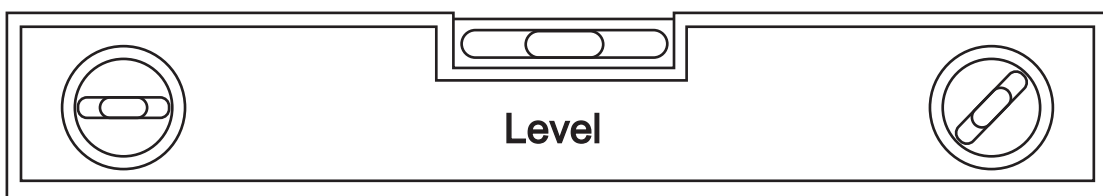
Tape measure



Pencil



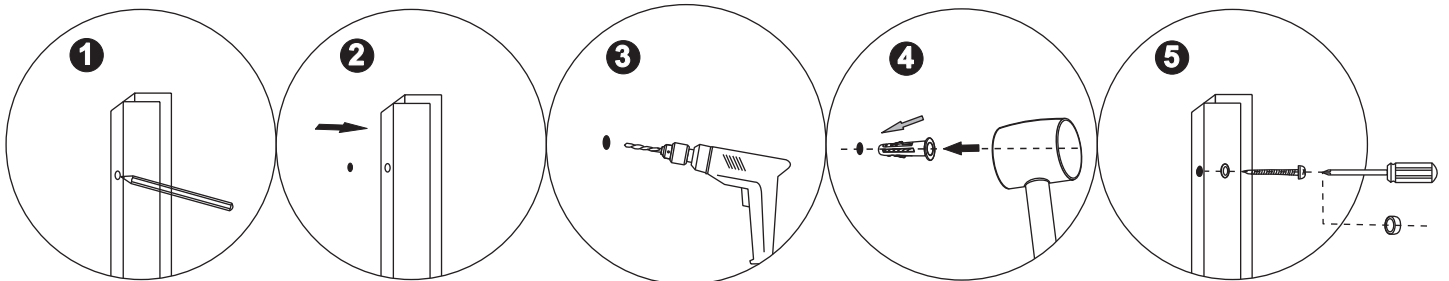
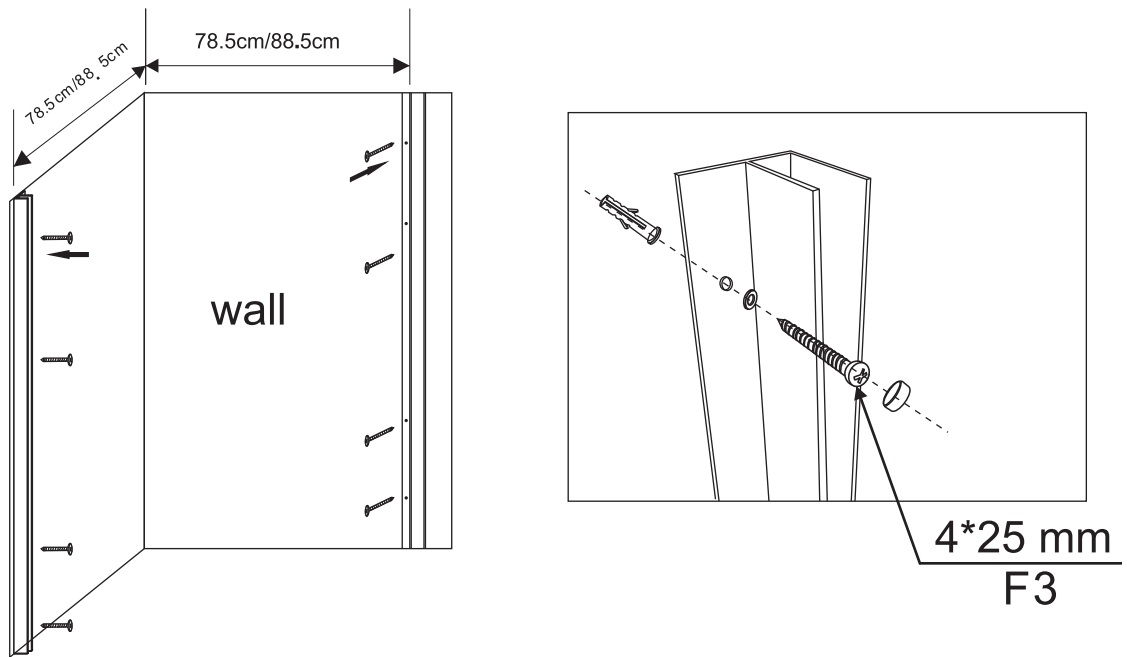
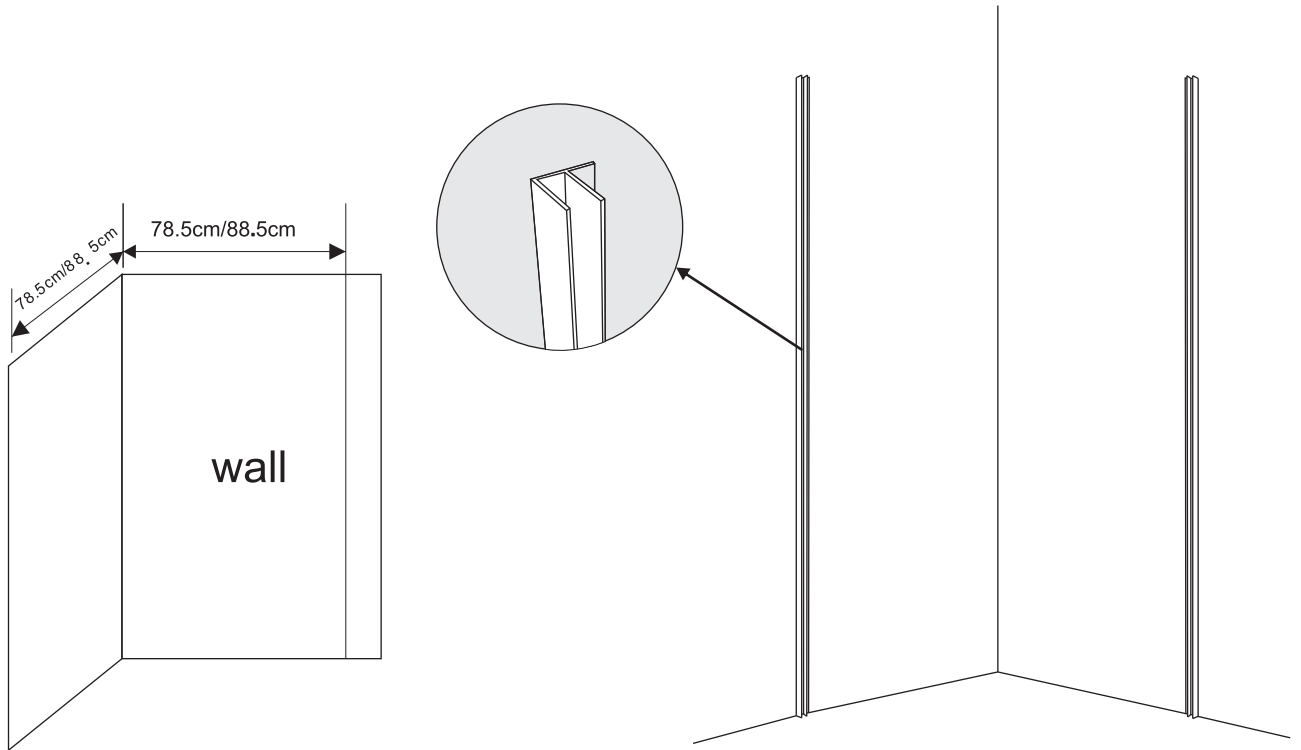
Magnetic crosshead screwdriver



Level

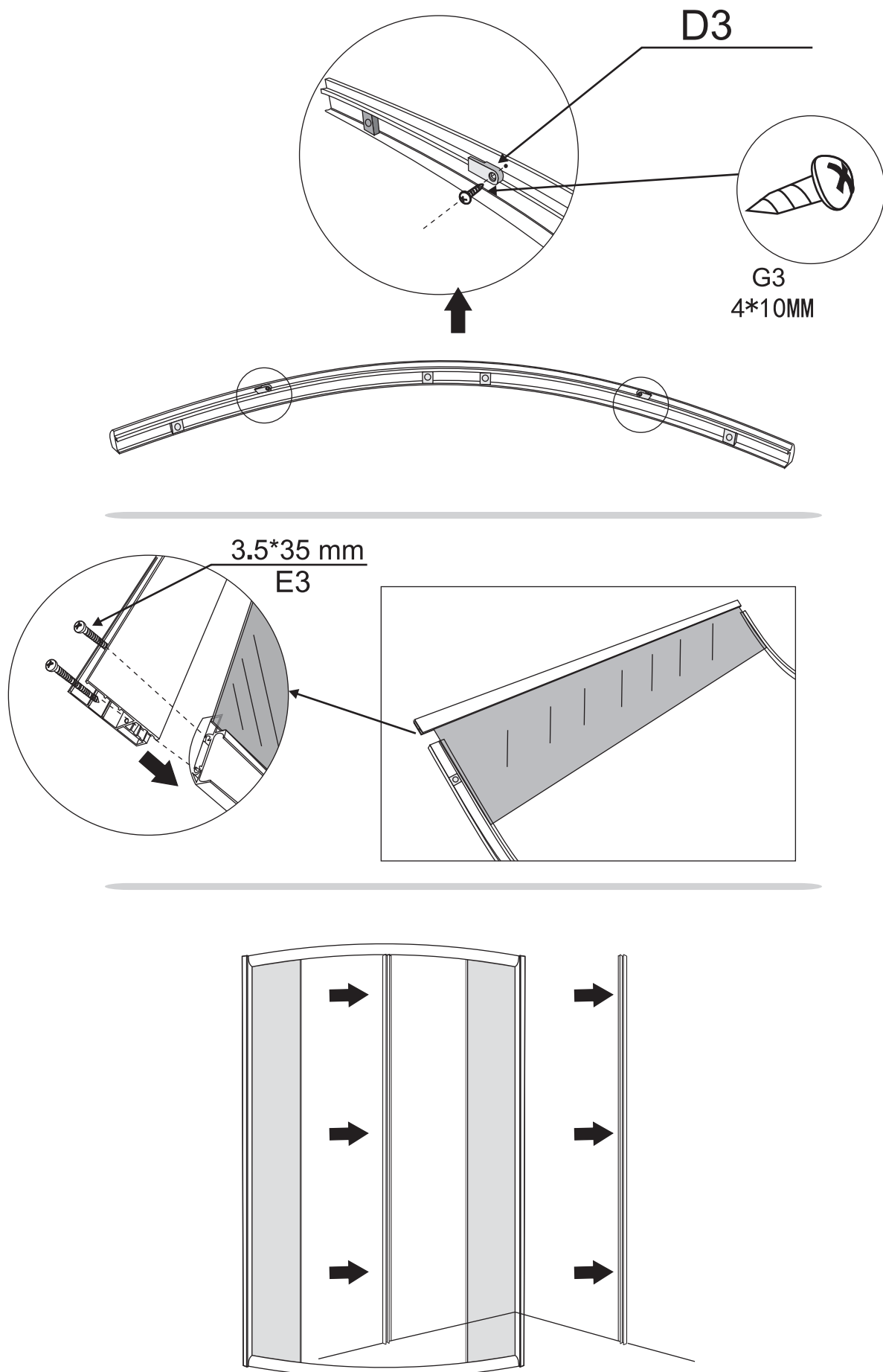
BR-021

Installation instructions



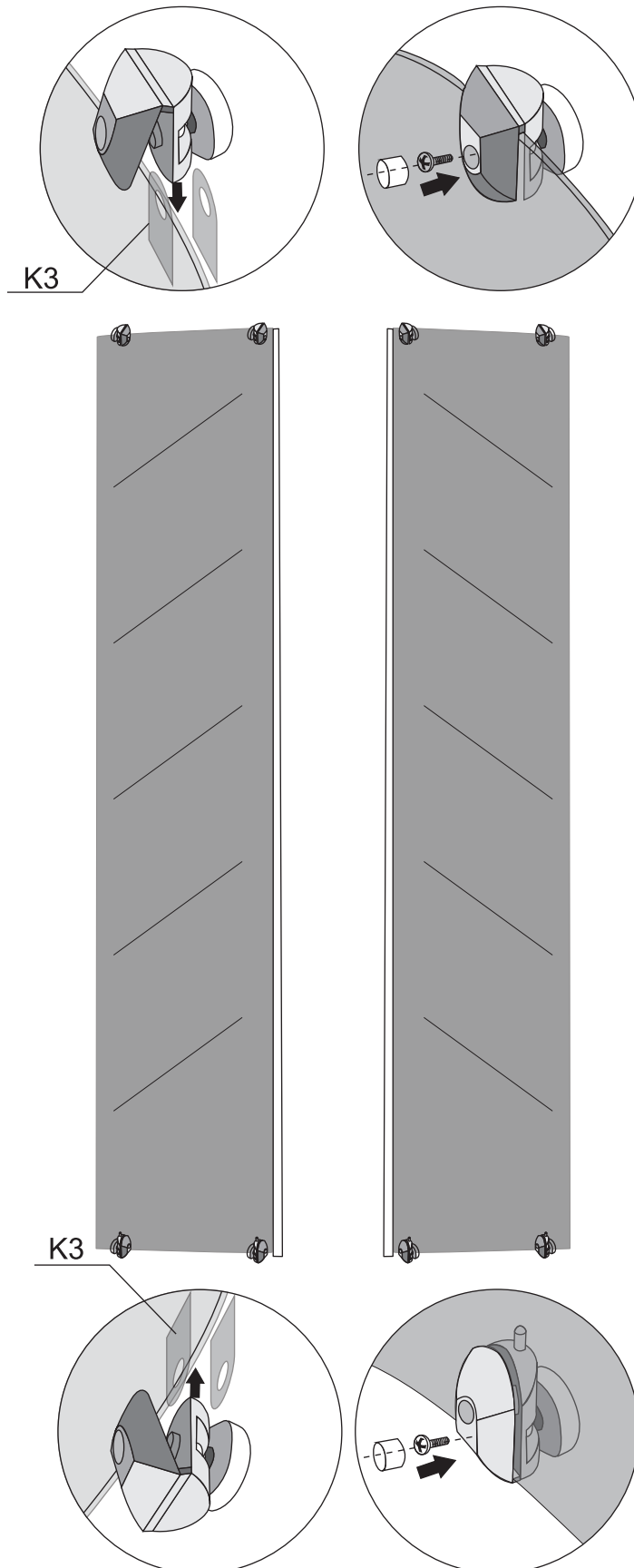
BR-021

Installation instructions



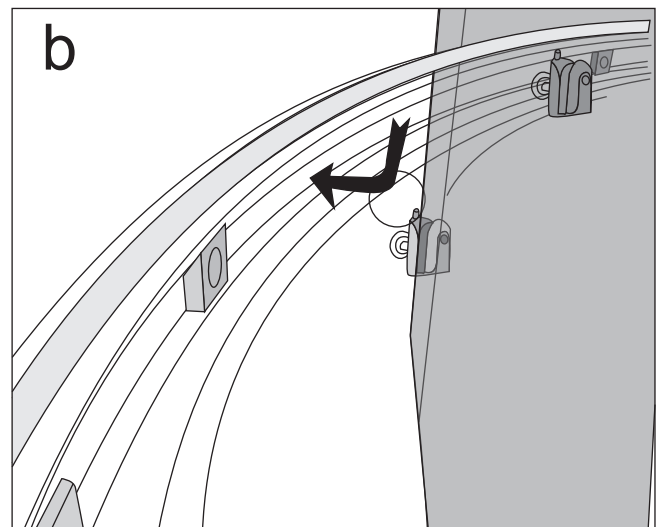
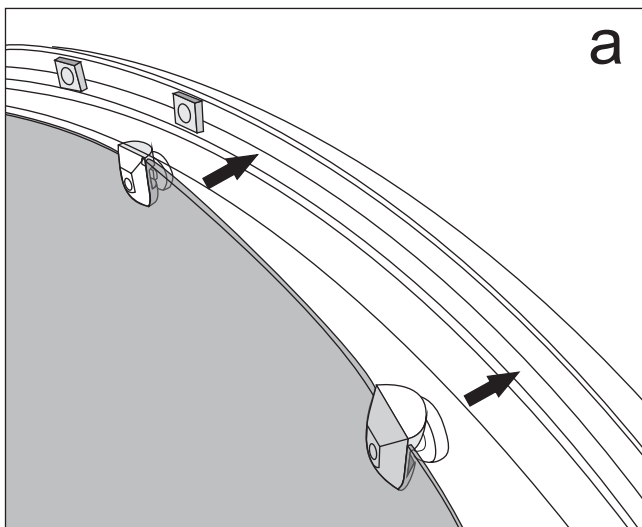
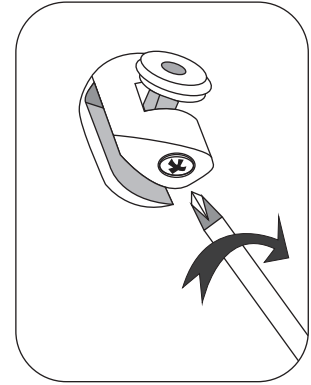
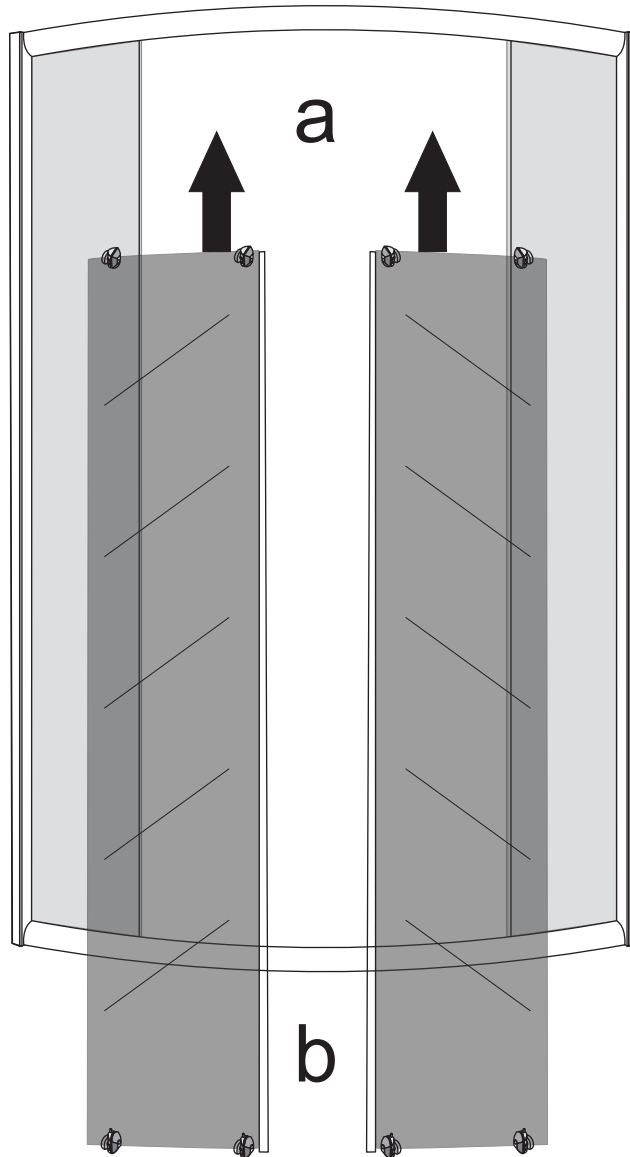
BR-021

Installation instructions



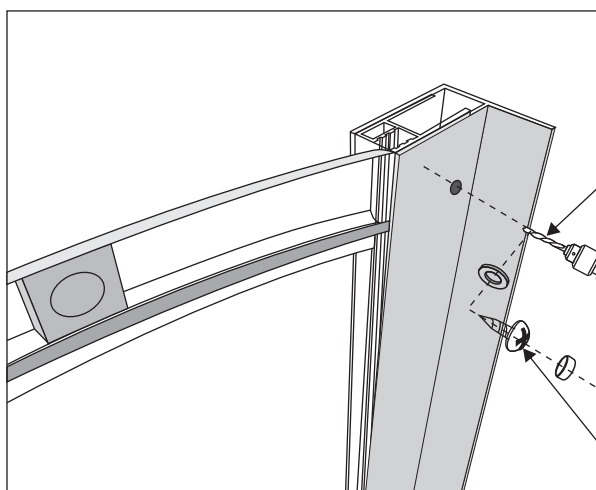
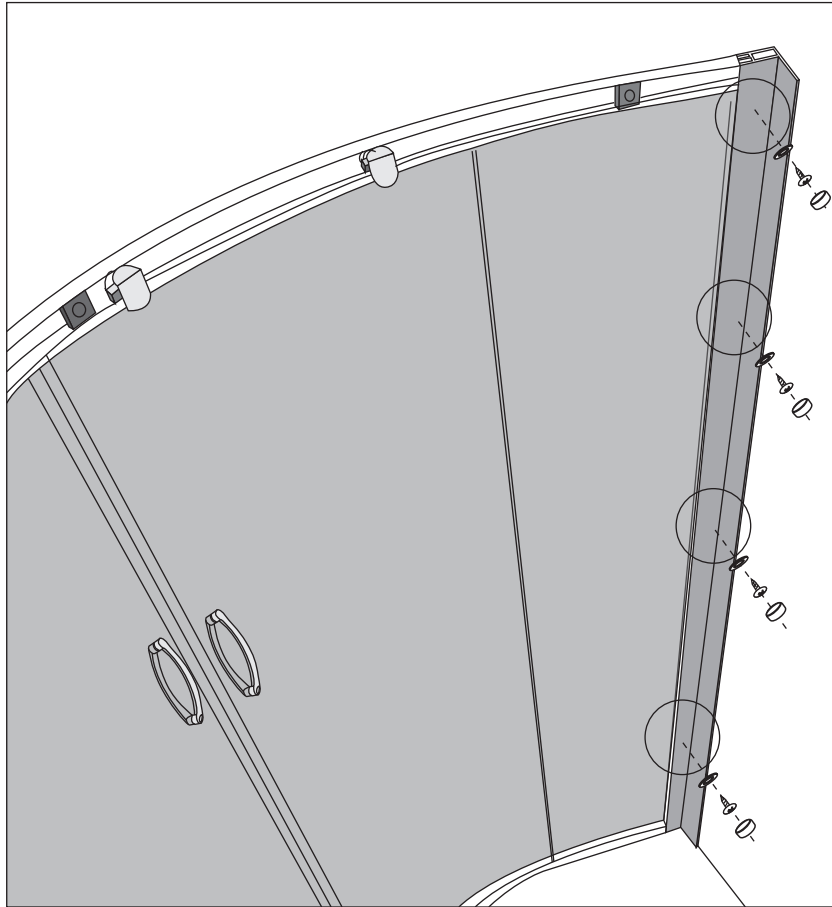
BR-021

Installation instructions



BR-021

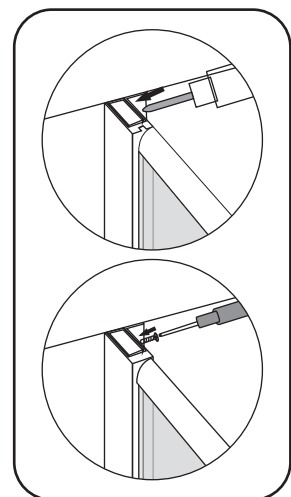
Installation instructions



J3

stainless steel screws:
4*10 big head

H3



BR-021

Installation instructions

