

HX-516 Installation instructions



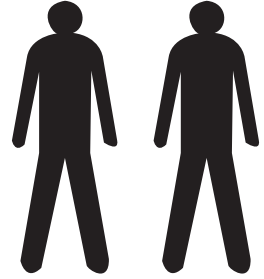
SIZE:160*185 ,170*185 ,180*185

HX-516 Installation instructions

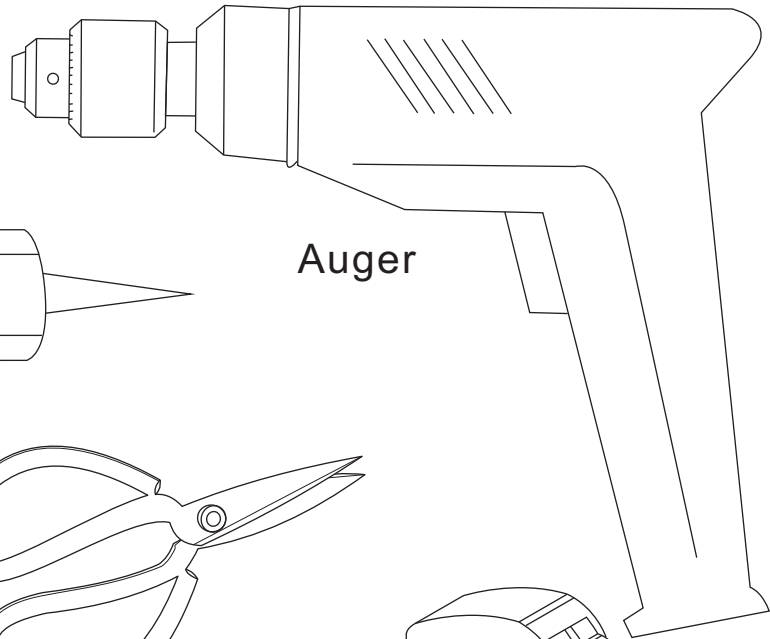
TOOLS REQUIRED(NOT SUPPLIED)

when you're ready to start,make sure that you have the following tools to hand,plenty of space and a clean dry area for assembly.

Two people are needed. Please note:although these instructions are comprehensive,We always recommend that a technically competent installer should undertake installation.

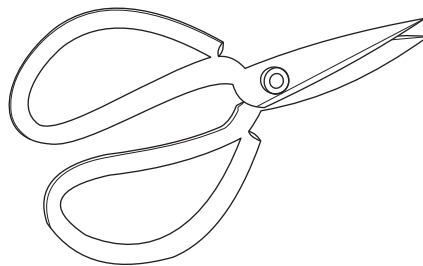
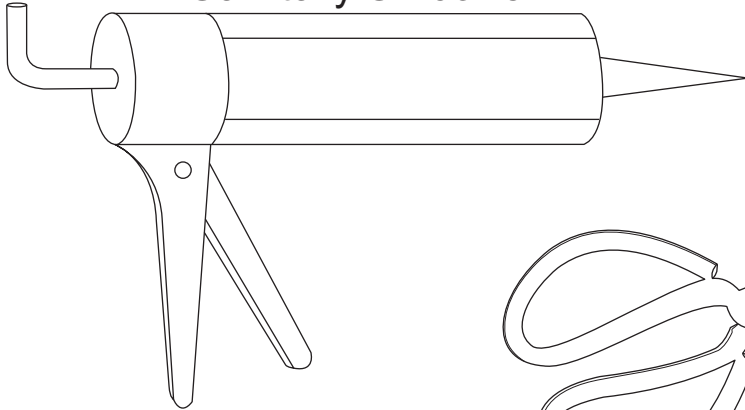


Drill beat head
5. 5mm

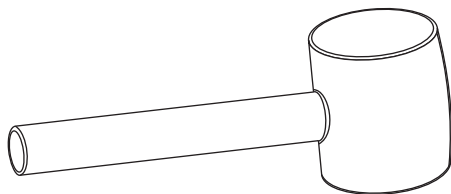


Auger

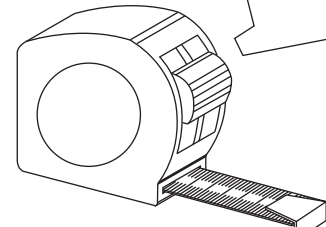
Sanitary Silicone



Forfex



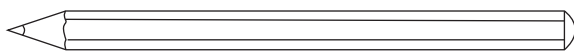
Hammer



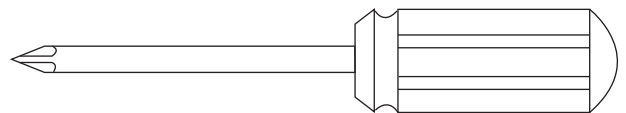
Tape measure



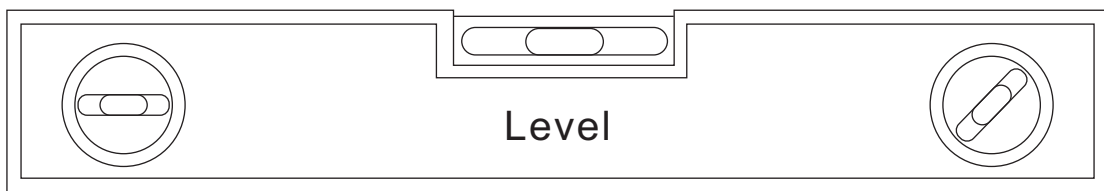
Board



Pencil

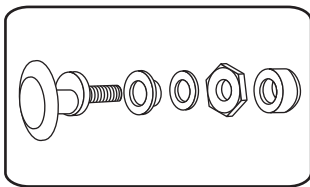
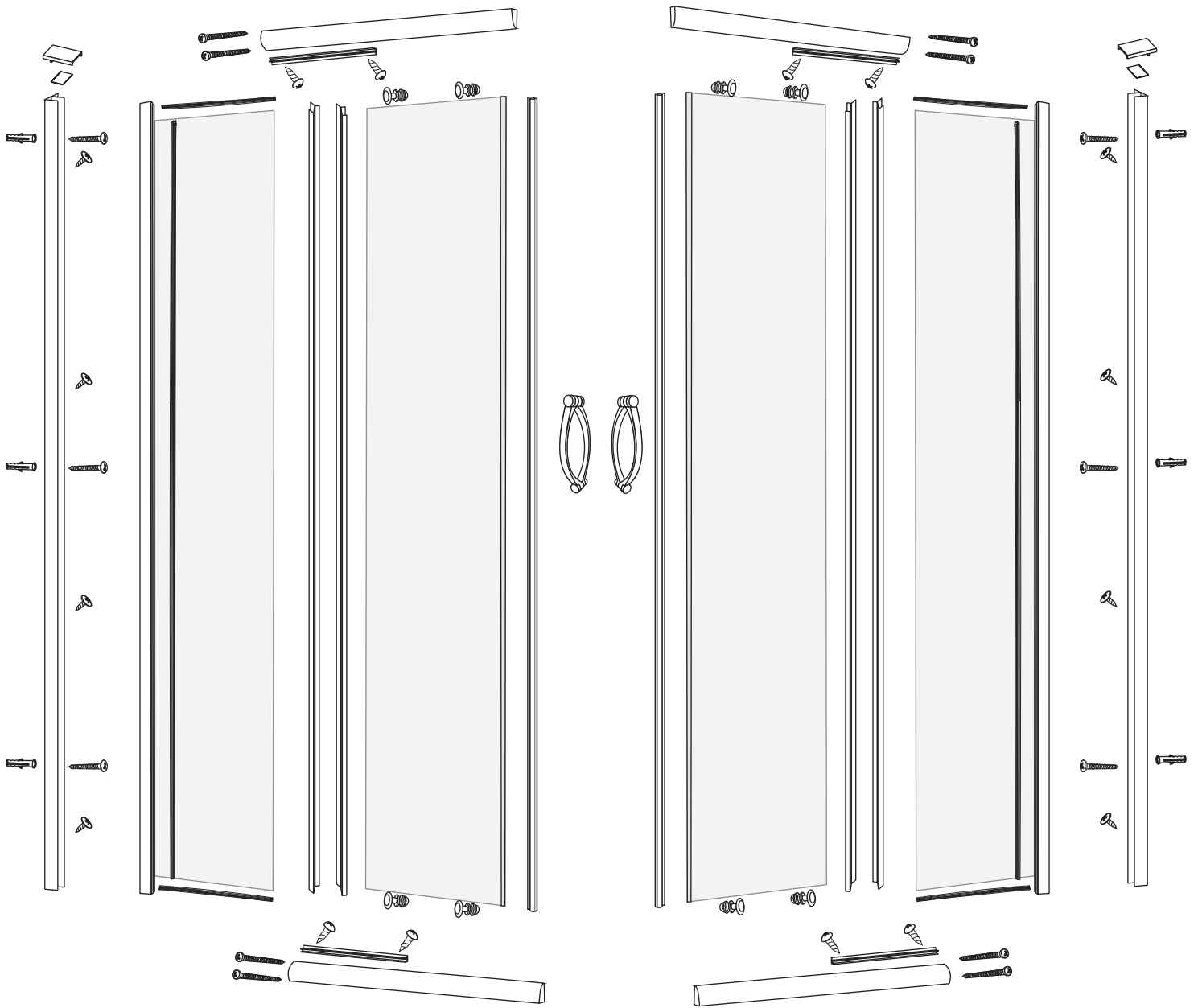


Magnetic crosshead schrewdriver

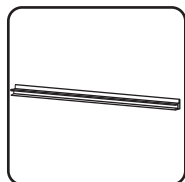


Level

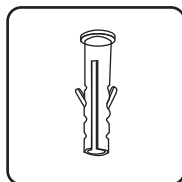
HX-516 Installation instructions



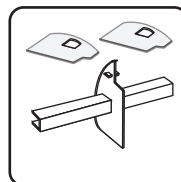
8PCS



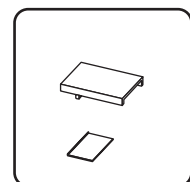
4PCS



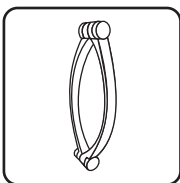
6PCS



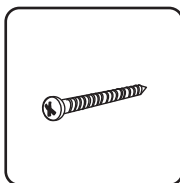
2PCS



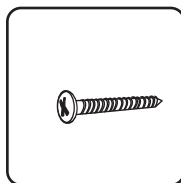
2PCS



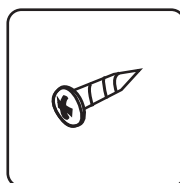
2PCS



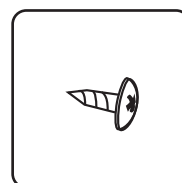
4x25mm
8PCS



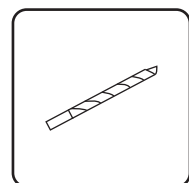
4x25mm
6PCS



4x12mm
8PCS



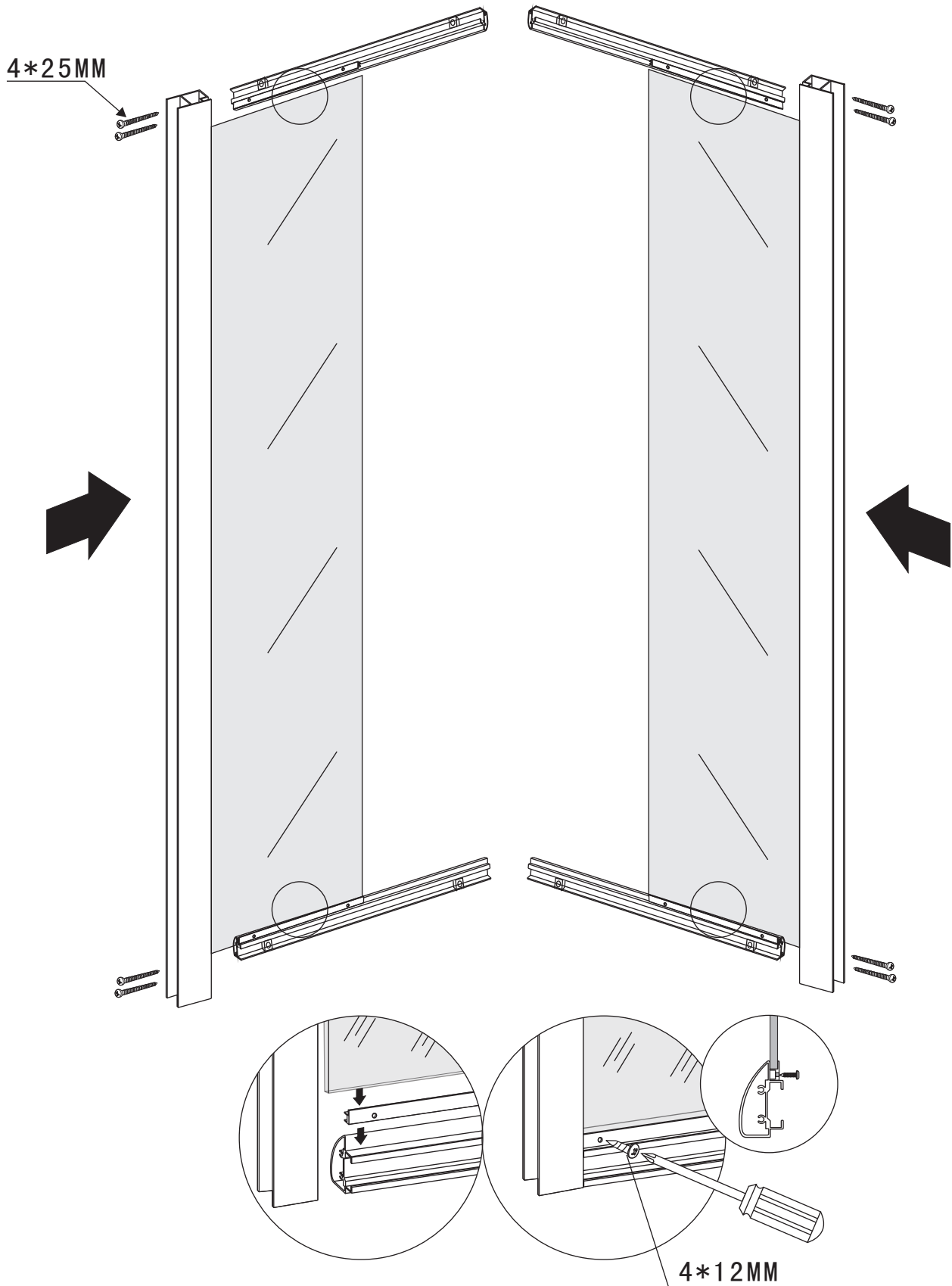
4x10mm
12PCS



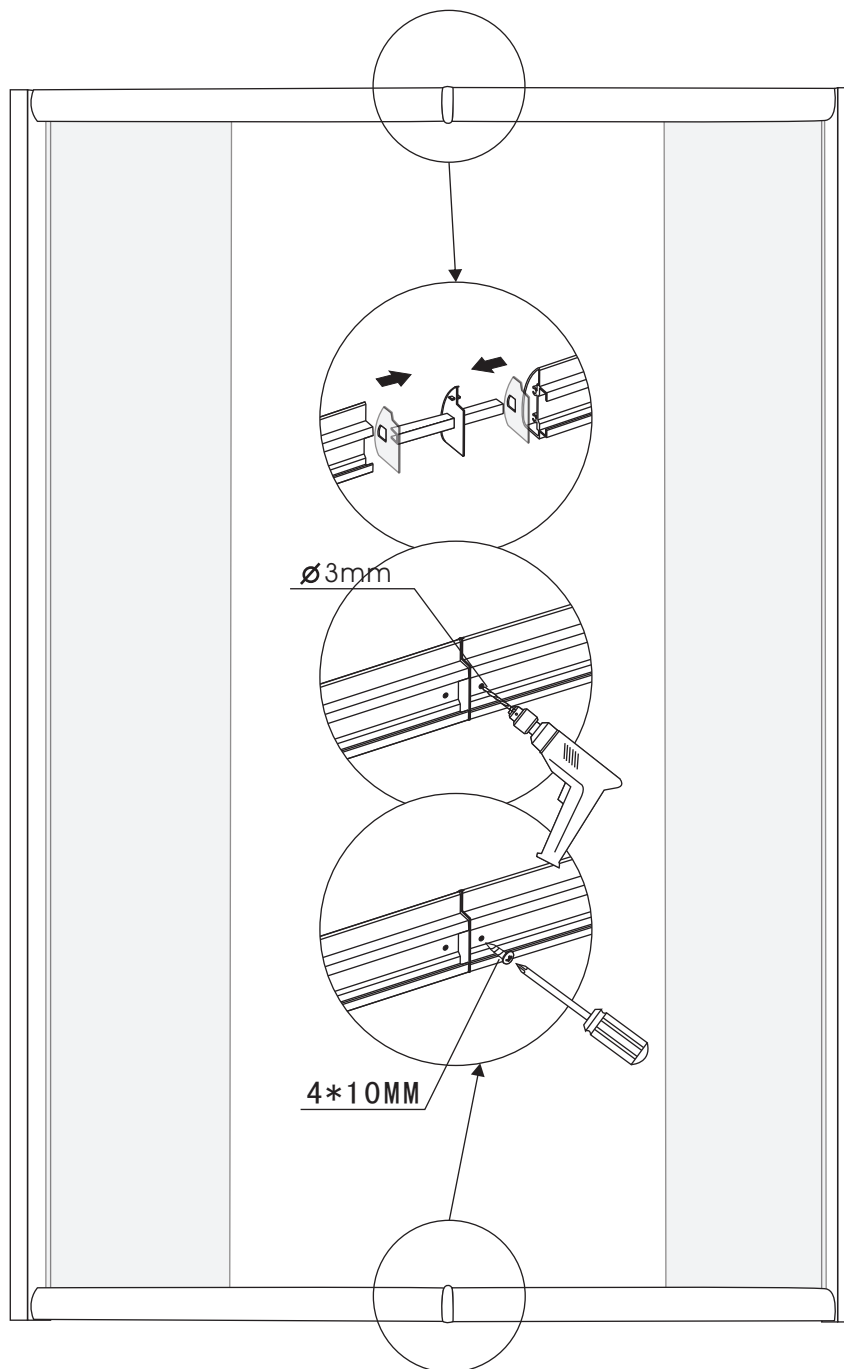
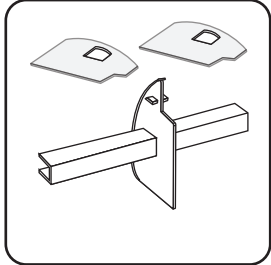
3mm

HX-516 Installation instructions

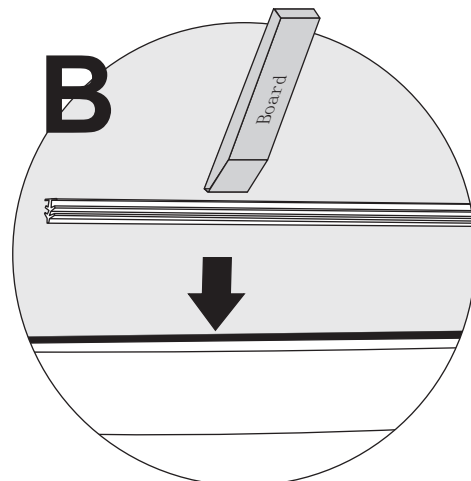
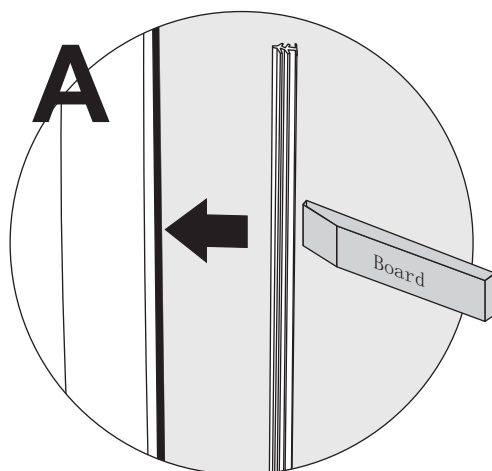
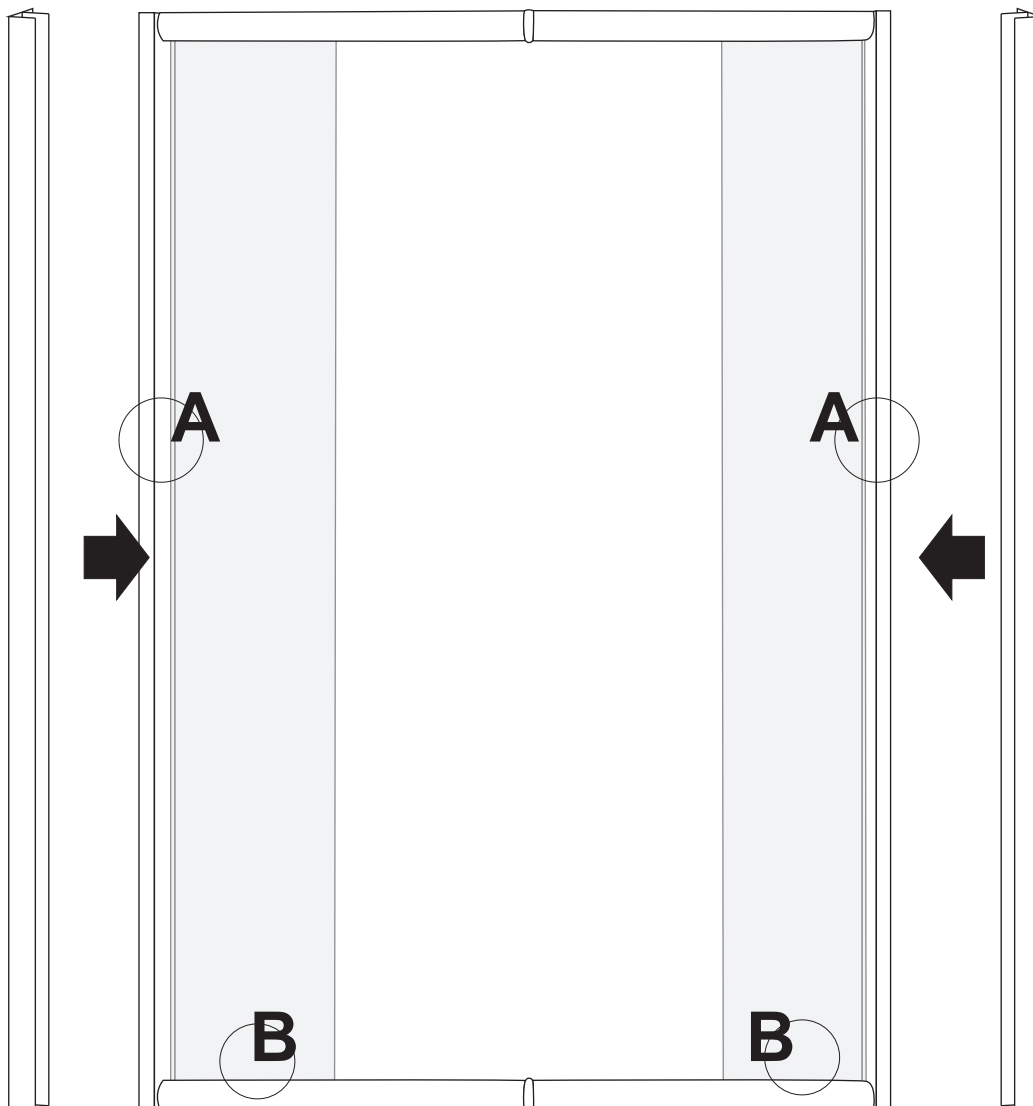
SIZE 160*185CM 170*185CM 180*185CM :
ASSEMBLE THE FIXED GLASS WITH RAILS BY CUSTOMER



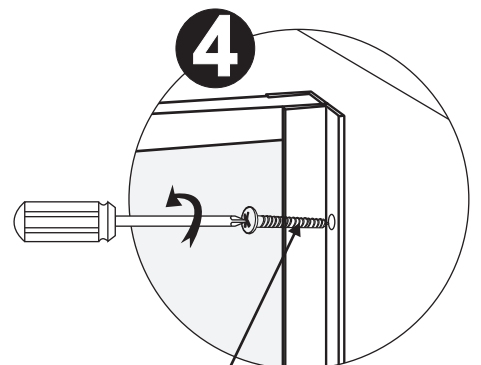
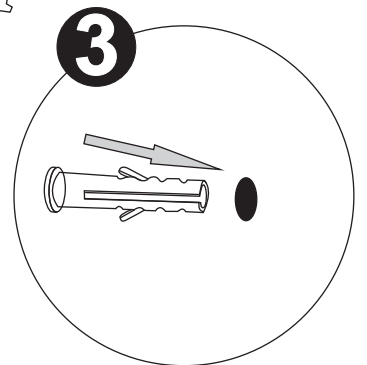
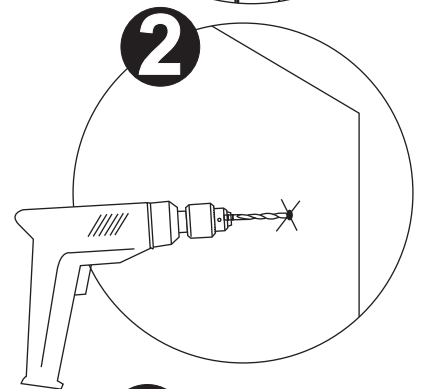
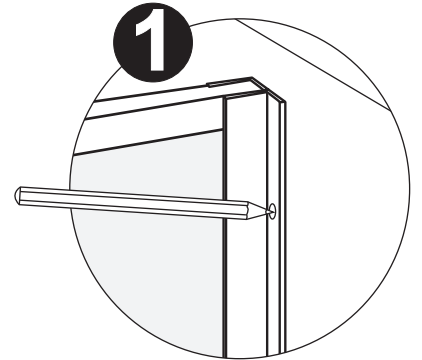
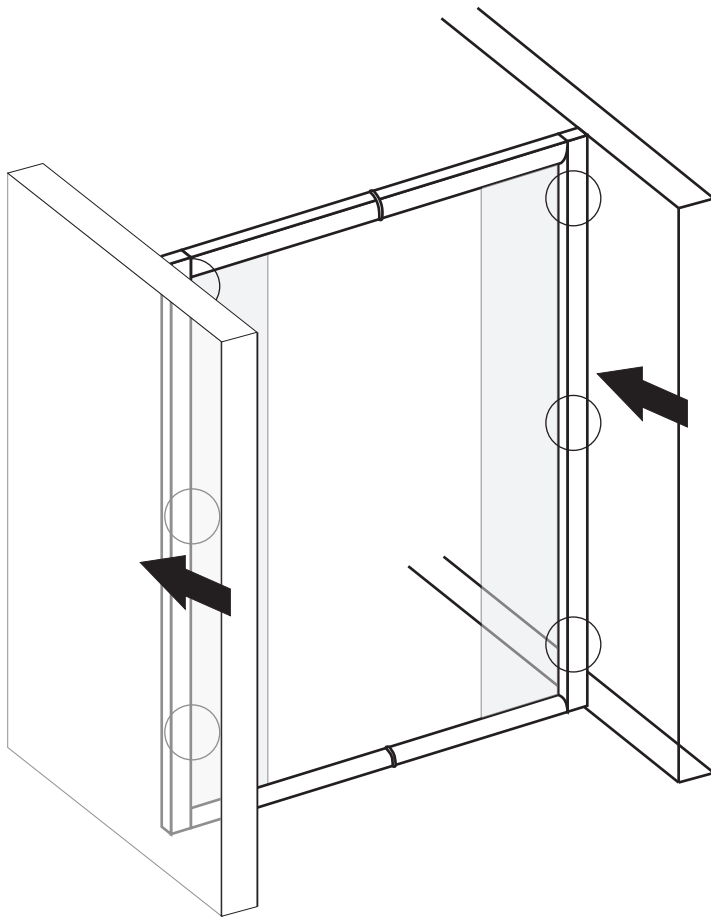
HX-516 Installation instructions



HX-516 Installation instructions

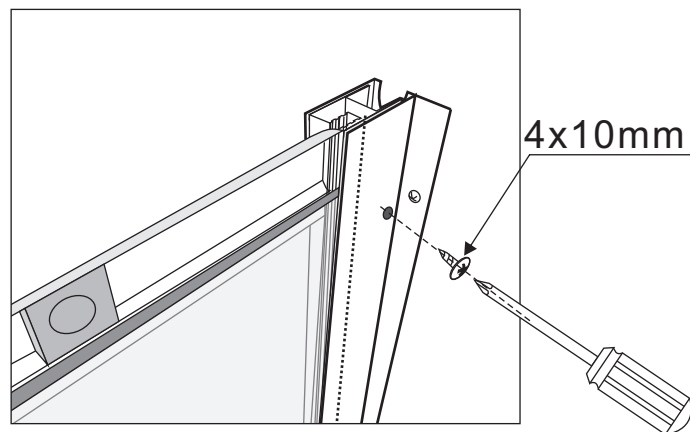
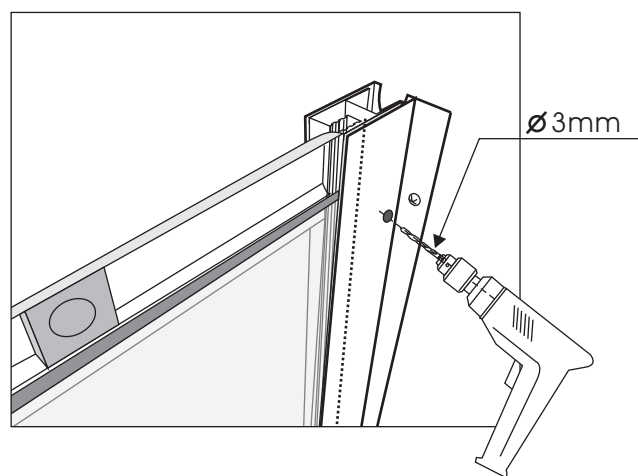
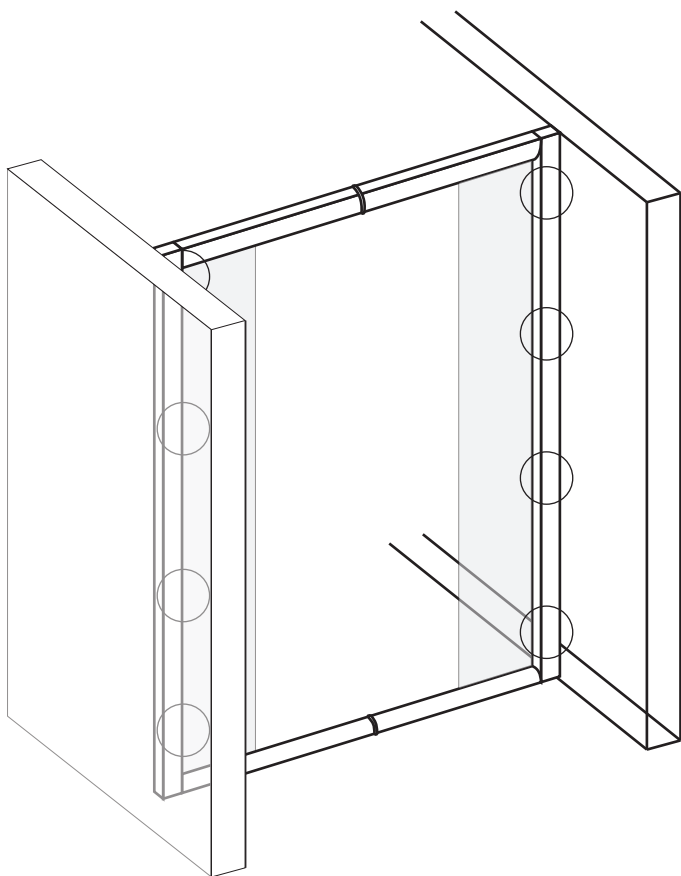


HX-516 Installation instructions

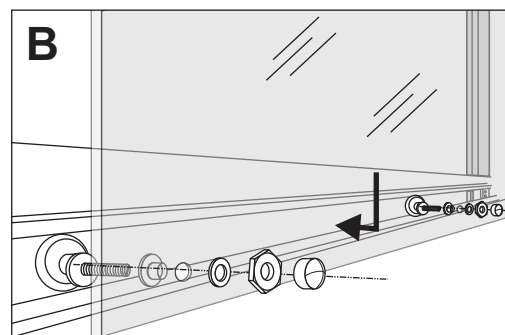
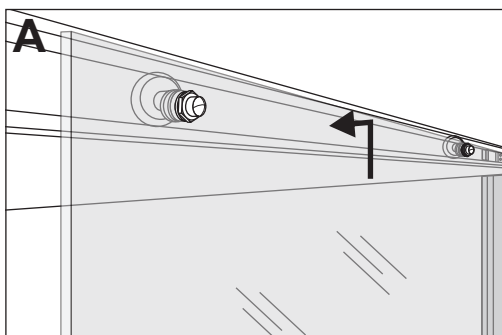
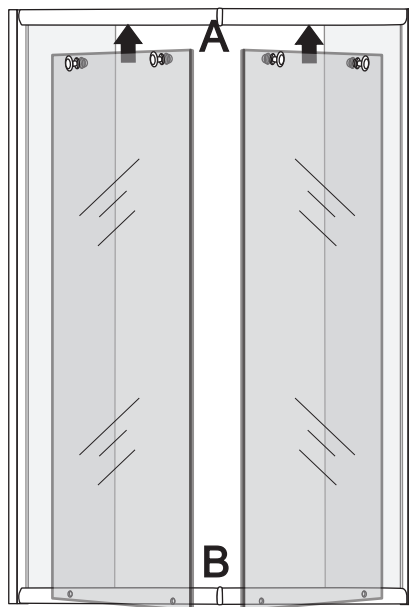
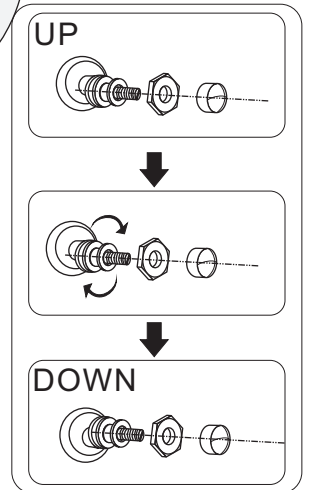
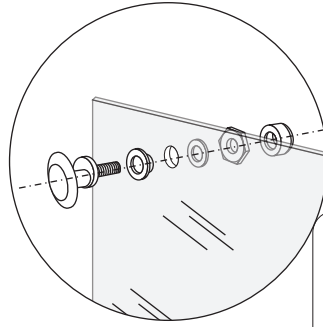
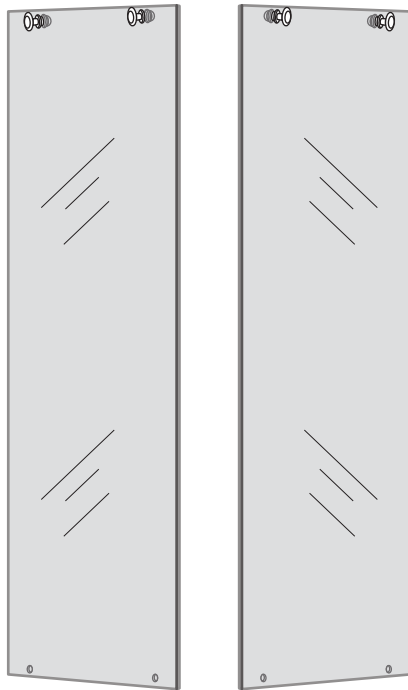


4*25 mm

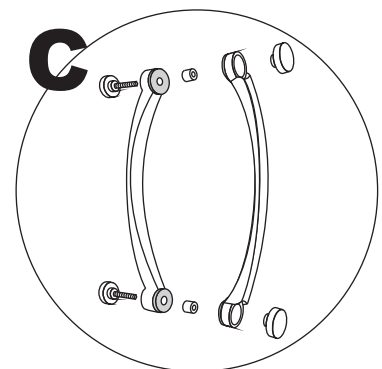
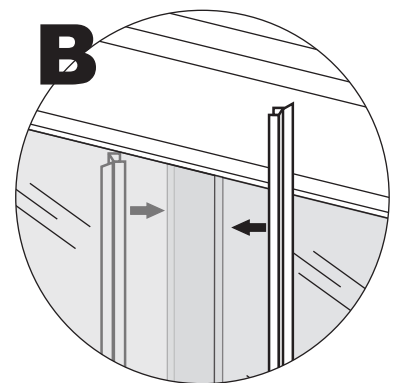
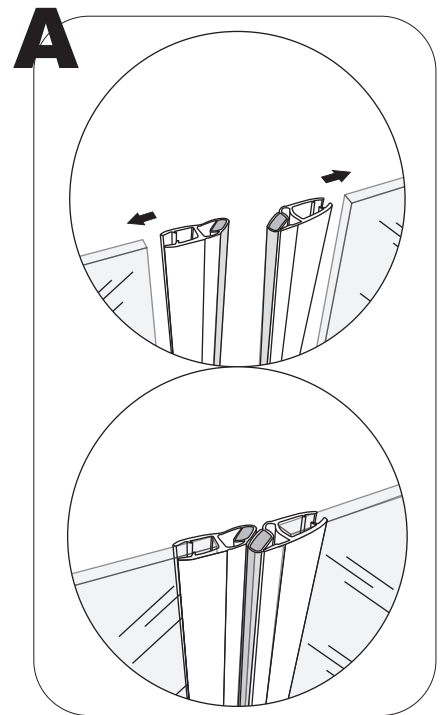
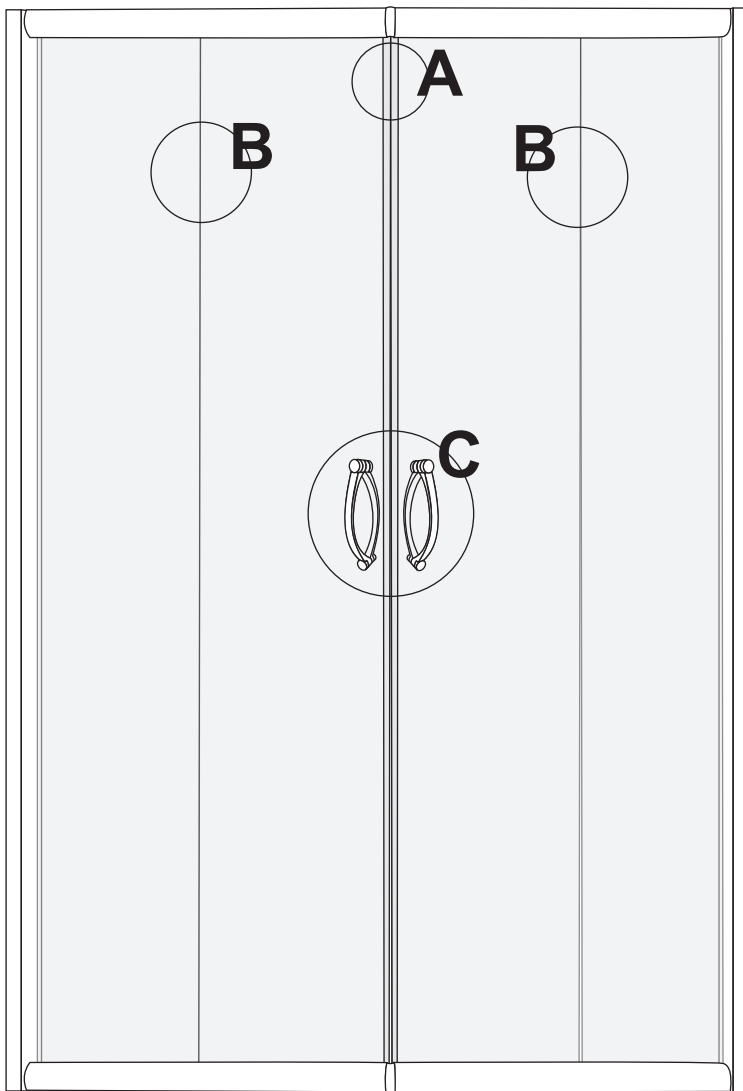
HX-516 Installation instructions



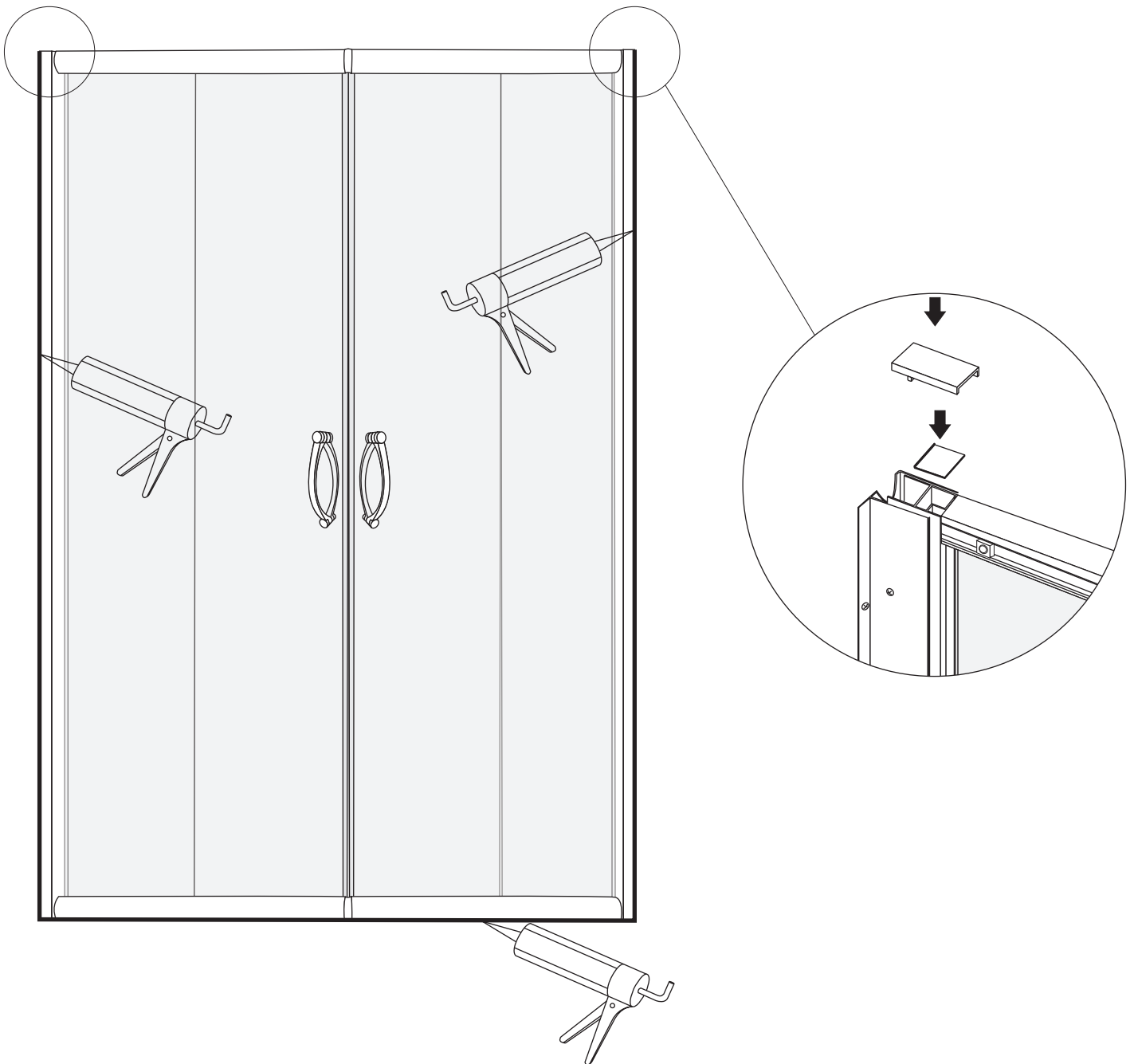
HX-516 Installation instructions



HX-516 Installation instructions



HX-516 Installation instructions



Warning: Don't use the shower enclosure until after at least 24 hours, so that the silica gel can be totally dry.