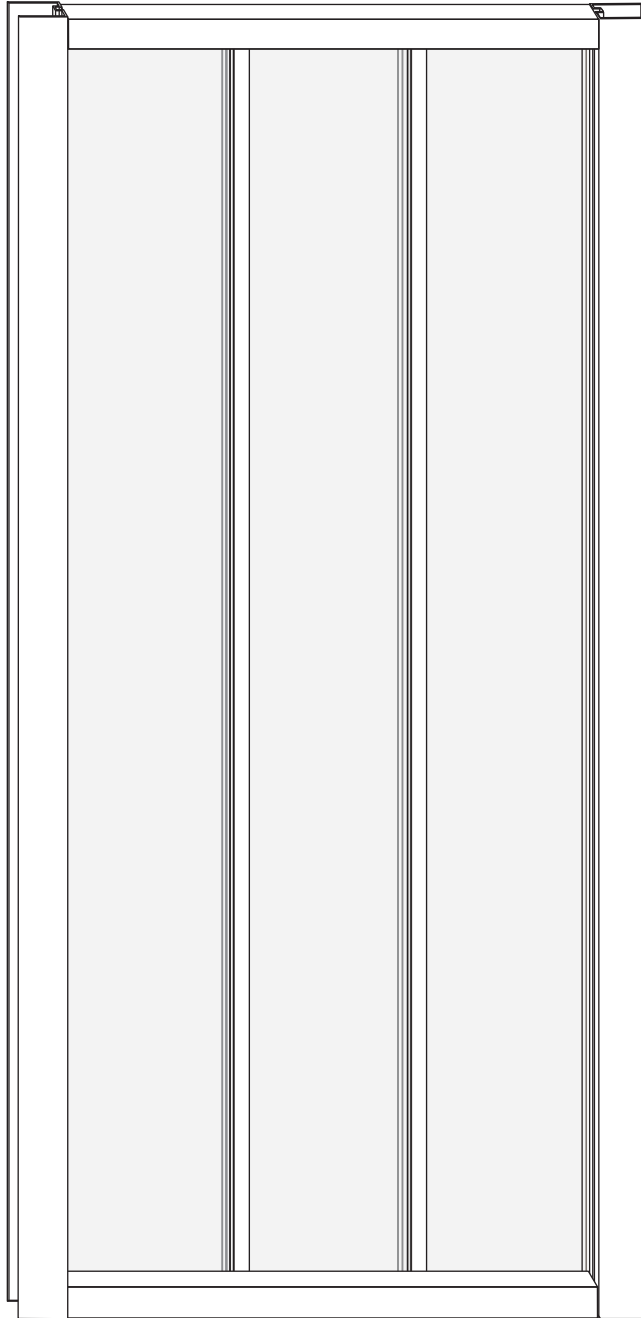


HX-152

Installation instructions



SIZE: 80*185 CM
SIZE: 90*185 CM

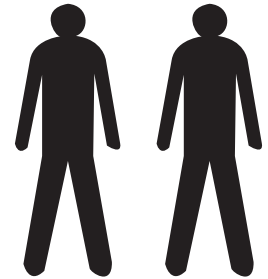
HX-152

Installation instructions

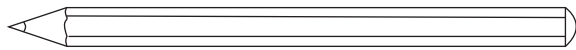
TOOLS REQUIRED(NOT SUPPLIED)

when you're ready to start,make sure that you have the following tools to hand,plenty of space and a clean dry area for assembly.

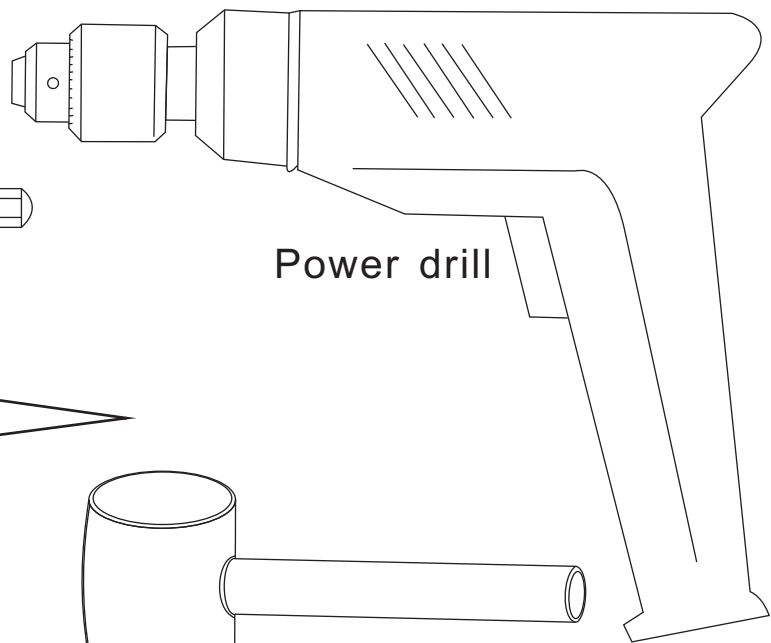
Two people are needed. Please note:although these instructions are comprehensive,We always recommend that a technically competent installer should undertake installation.



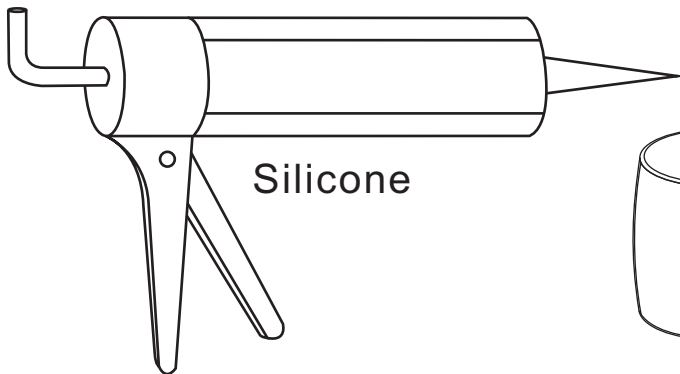
Drill bit for wall
5.5mm



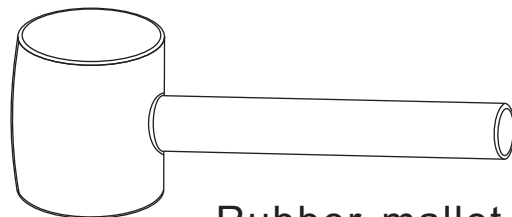
Pencil



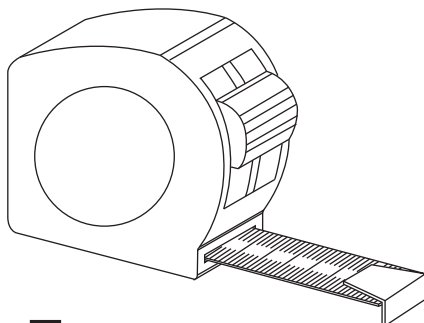
Power drill



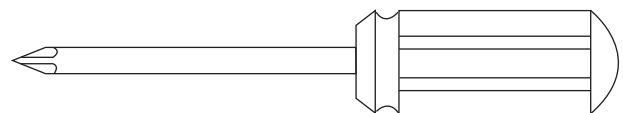
Silicone



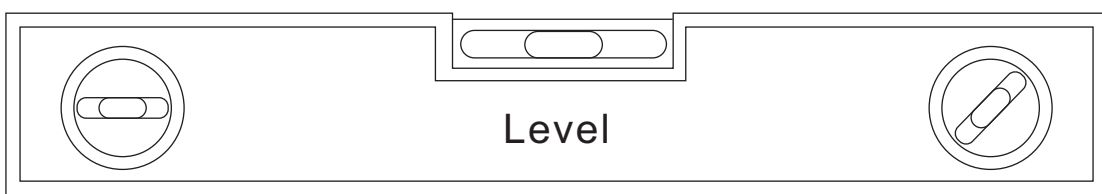
Rubber mallet



Tape measure



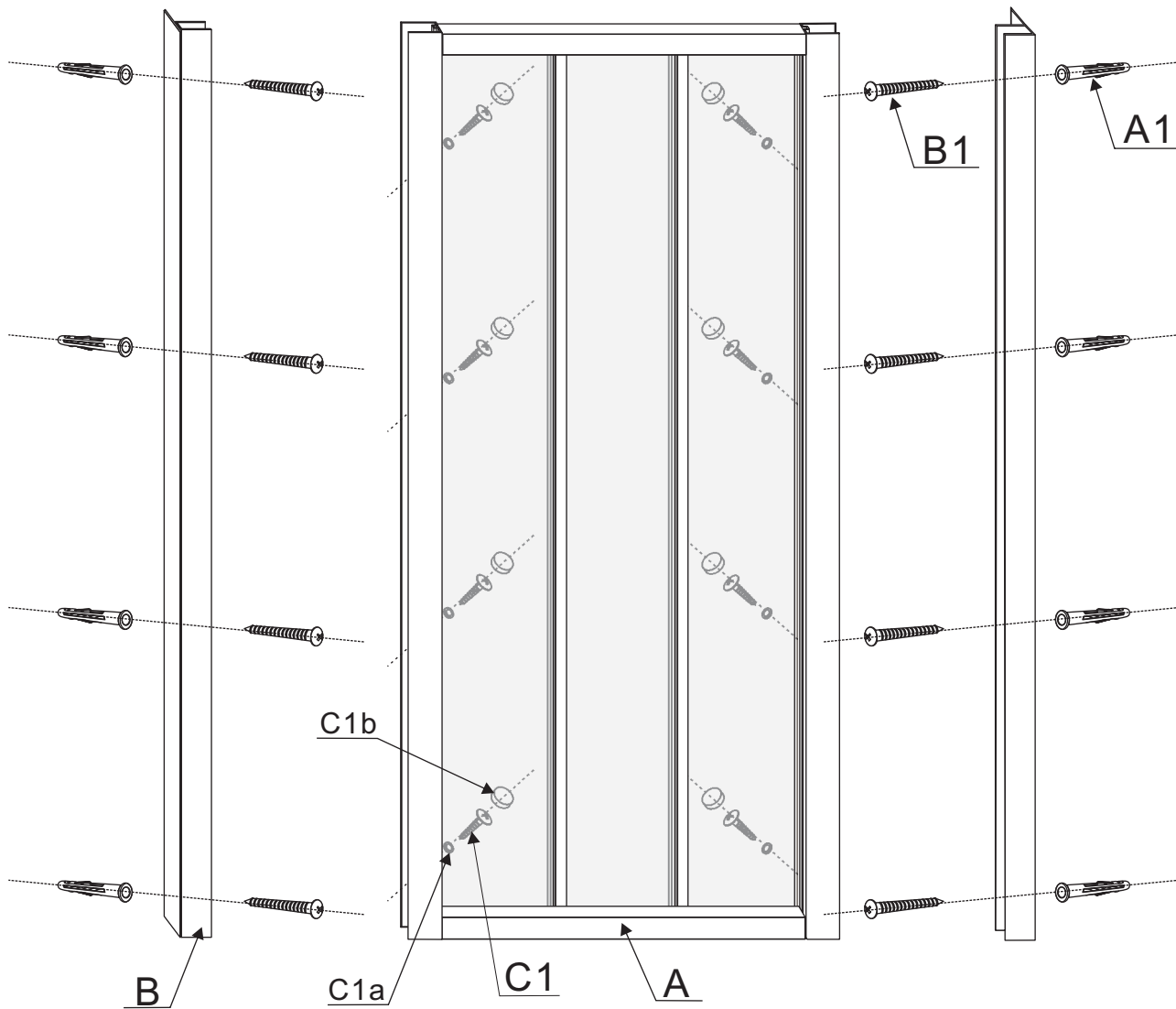
Magnetic crosshead screwdriver



Level







HX-152

Installation instructions



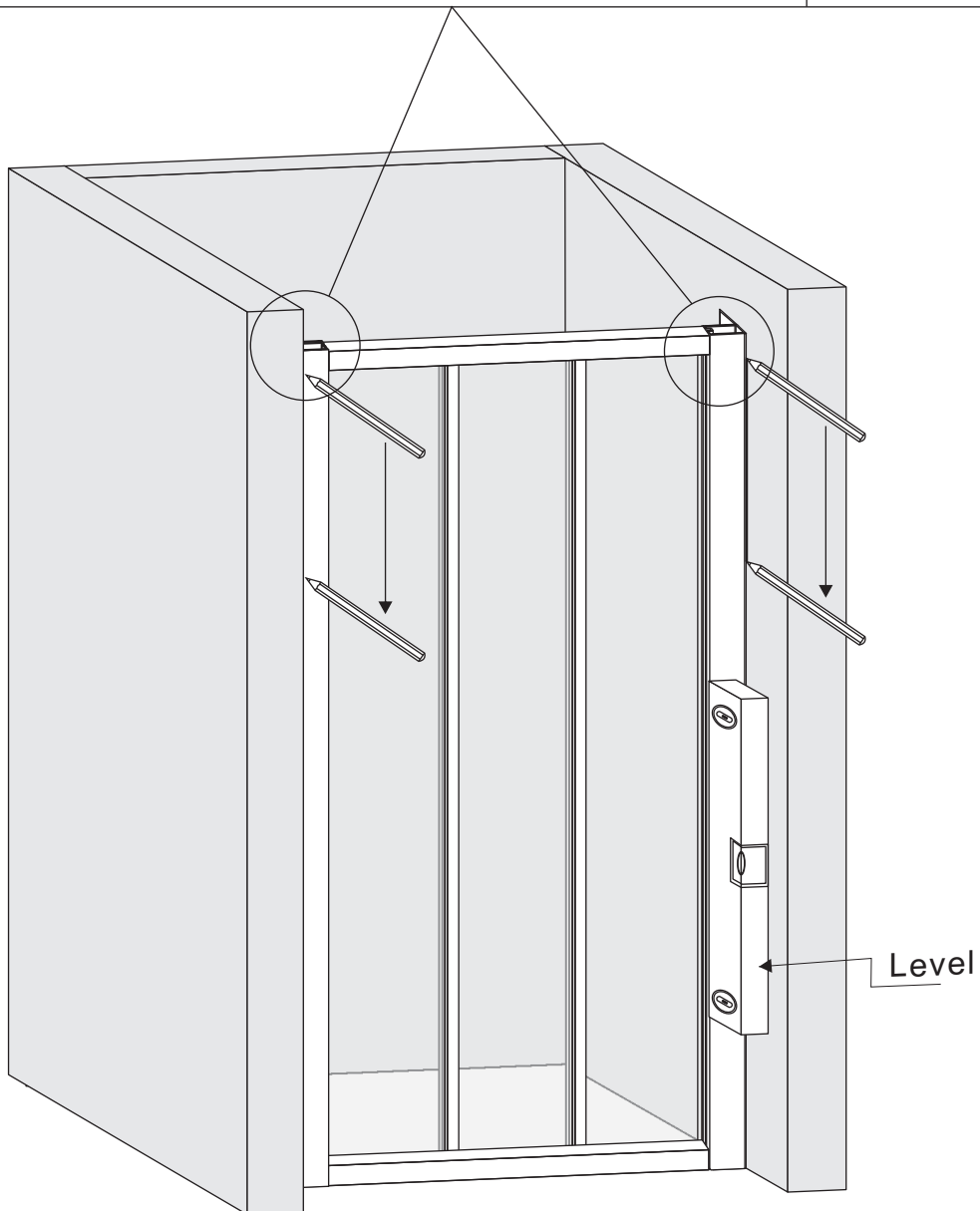
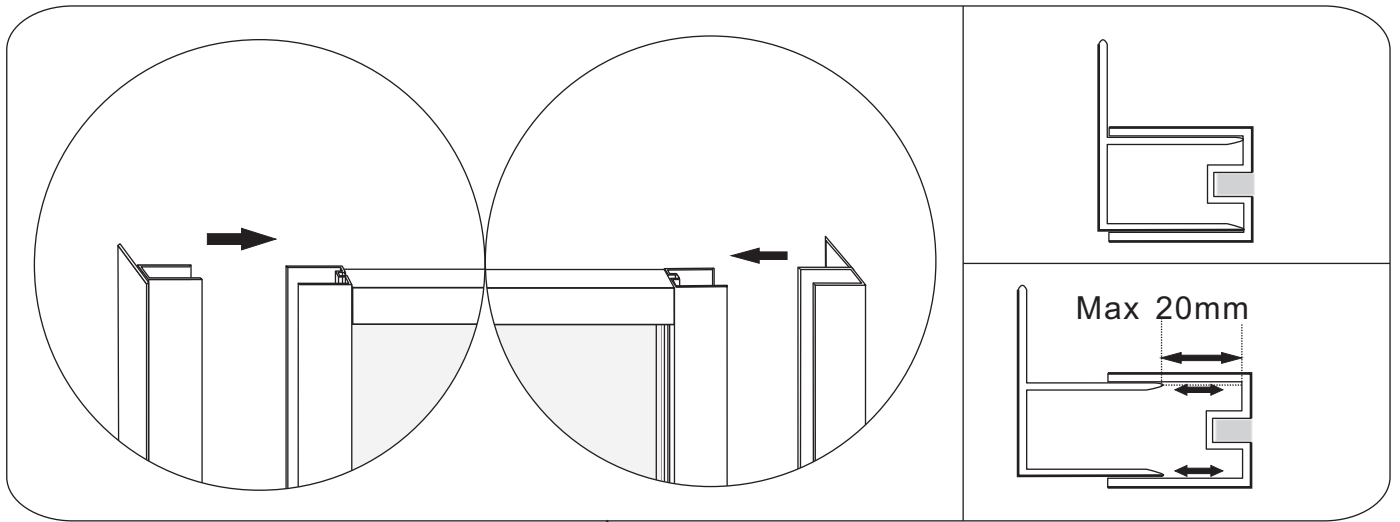
Fitting kit includes

Ref	Description	Qty
A	Tri-Fold door	1
B	Wall profile	2

Ref	Description	Illustration	Qty
A1	Expendable wall plug		8
B1	Stainless steel screws 4x25		8
C1	Stainless steel screws 4x12		8
C1 _a	Screw cap		8
C1 _b	Screw cover		8
D1	Drill bit 3mm		1

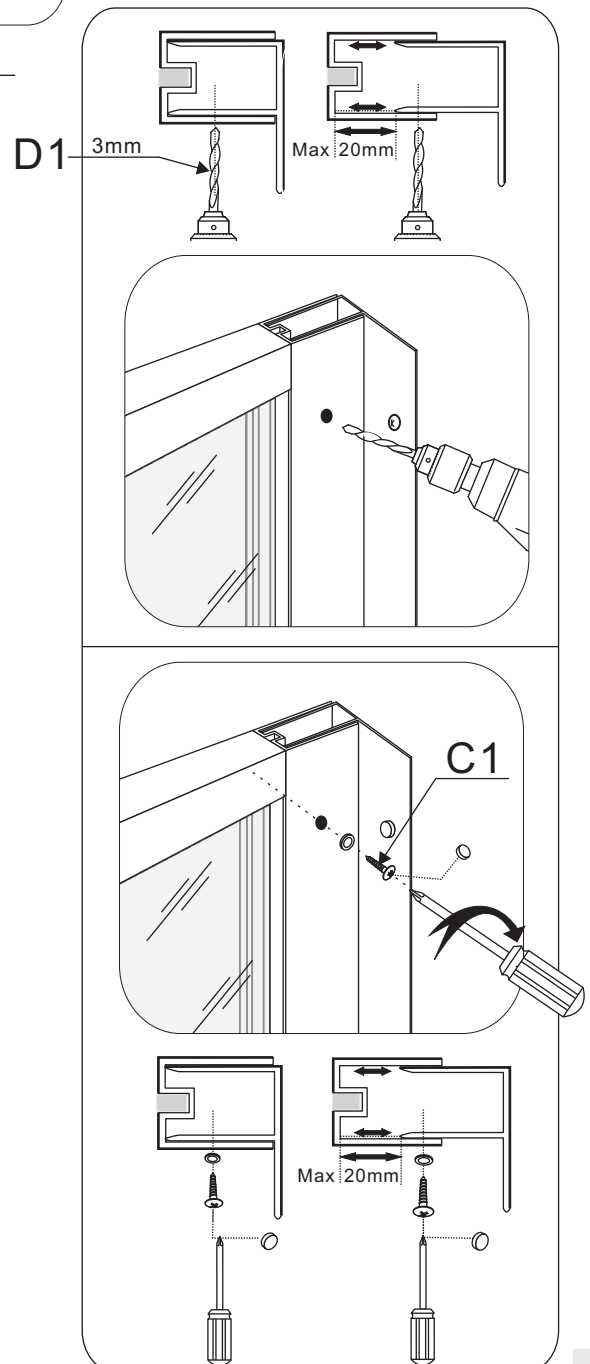
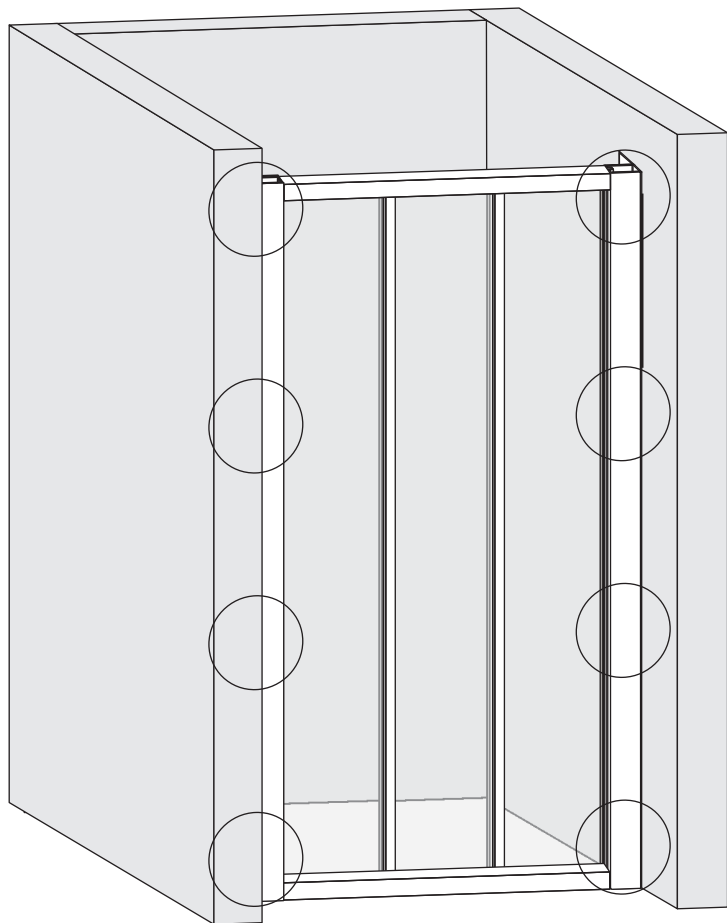
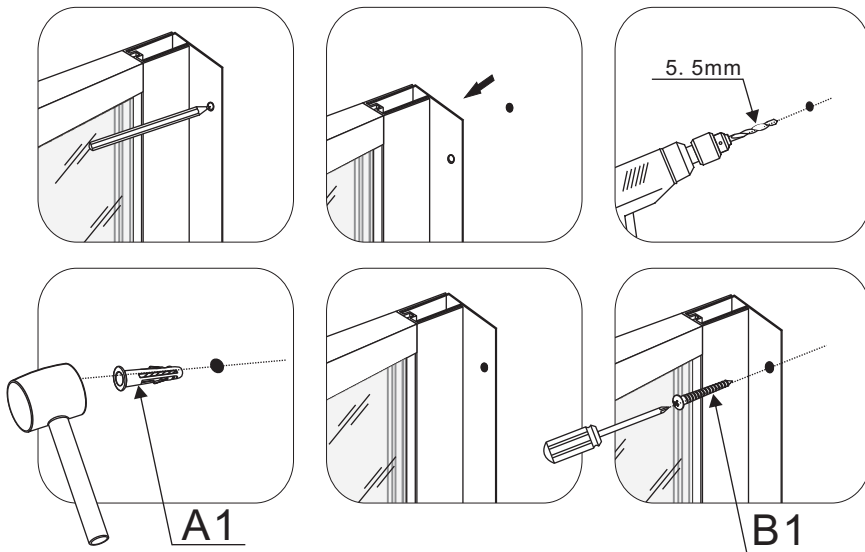
HX-152

Installation instructions



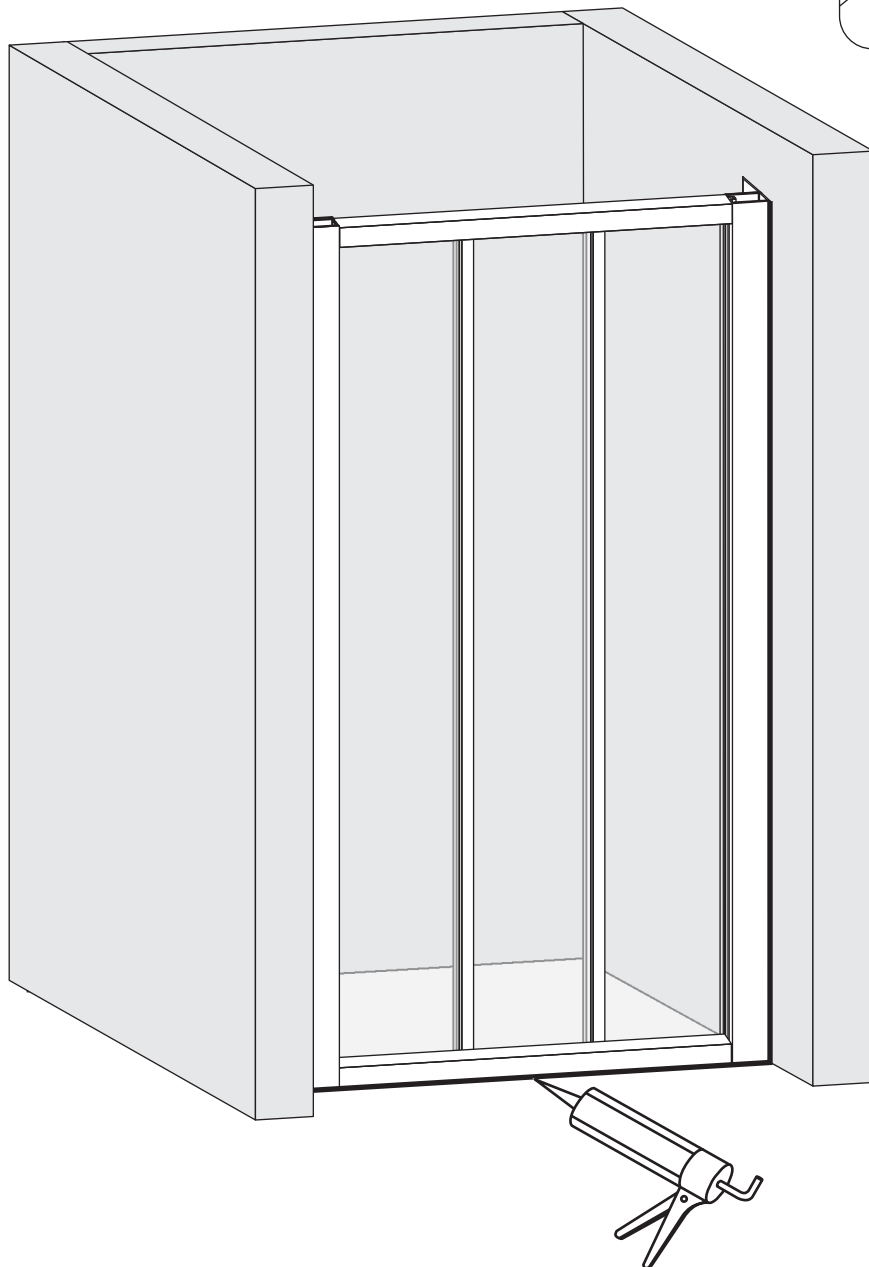
HX-152

Installation instructions



HX-152

Installation instructions



Warning: Don't use the shower enclosure until after at least 24 hours, so that the silica gel can be totally dry.