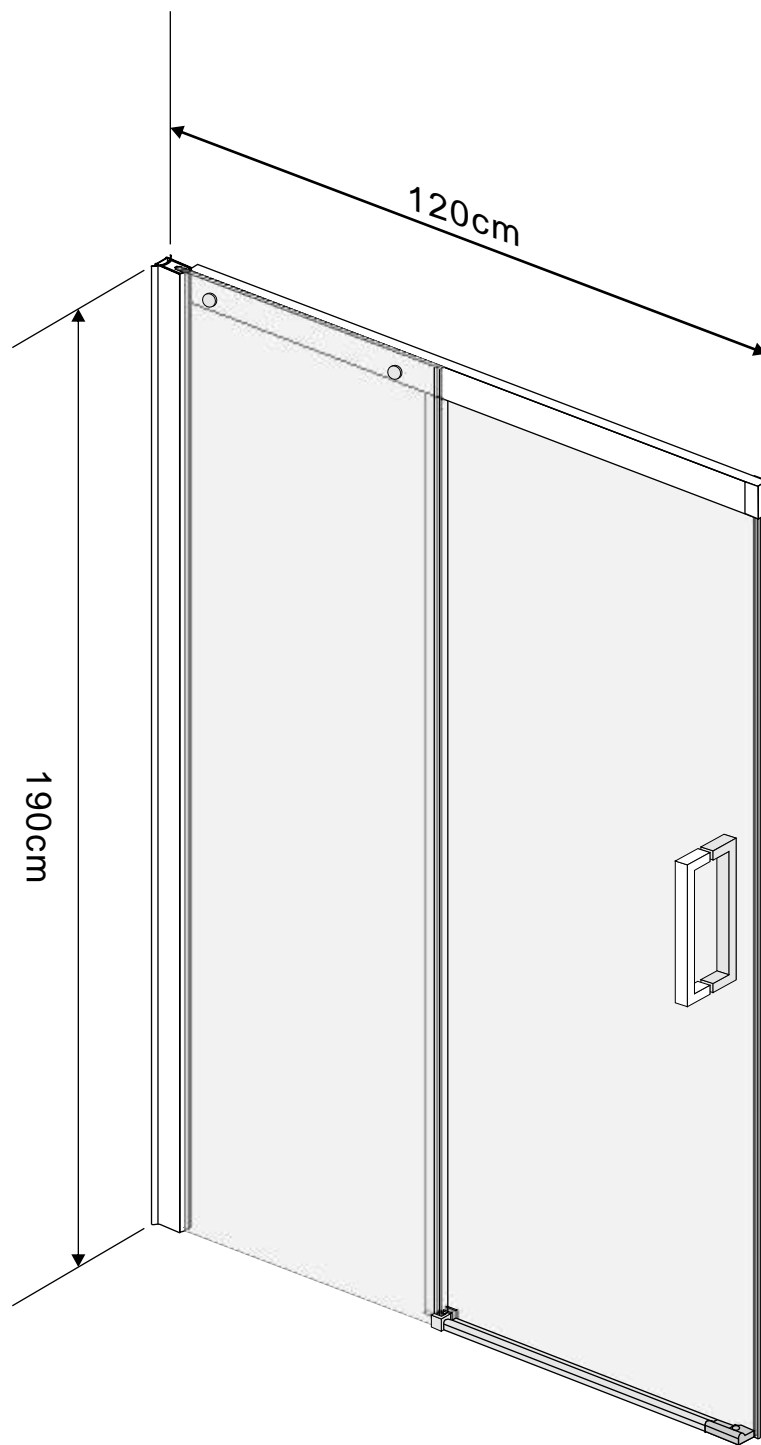


PF -006  
Installation instructions



**SIZE :130 \*190 CM**  
**SIZE :150 \*190 CM**

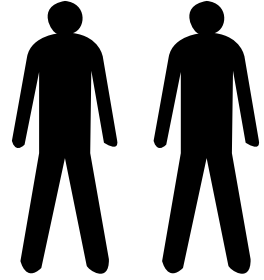
# PF -006

## Installation instructions

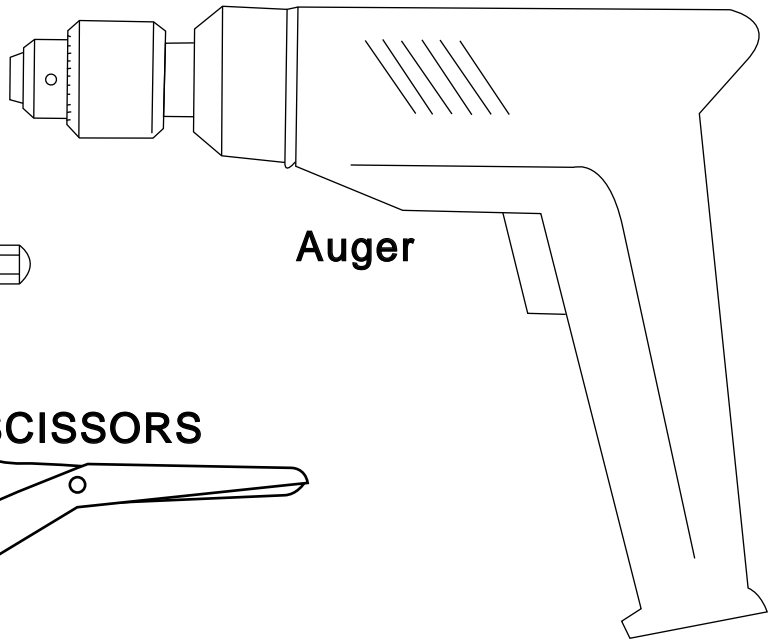
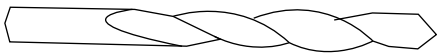
### TOOLS REQUIRED(NOT SUPPLIED)

when you're ready to start,make sure that you have the following tools to hand,plenty of space and a clean dry area for assembly.

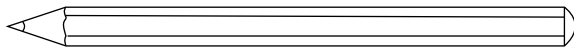
Two people are needed. Please note:although these instructions are comprehensive,We always recommend that a technically competent installer should undertake installation.



**Drill beat head  
4mm**

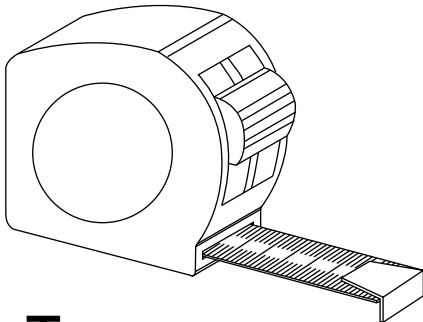
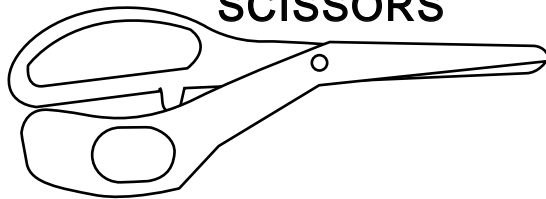


**Auger**

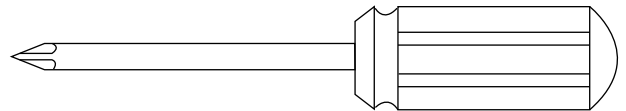
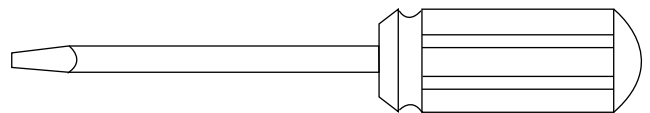


**Pencil**

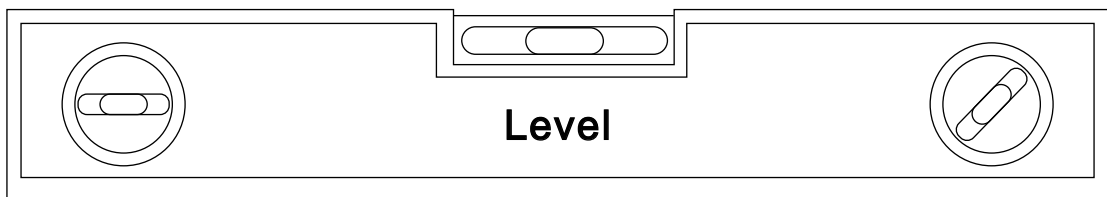
**SCISSORS**



**Tape measure**

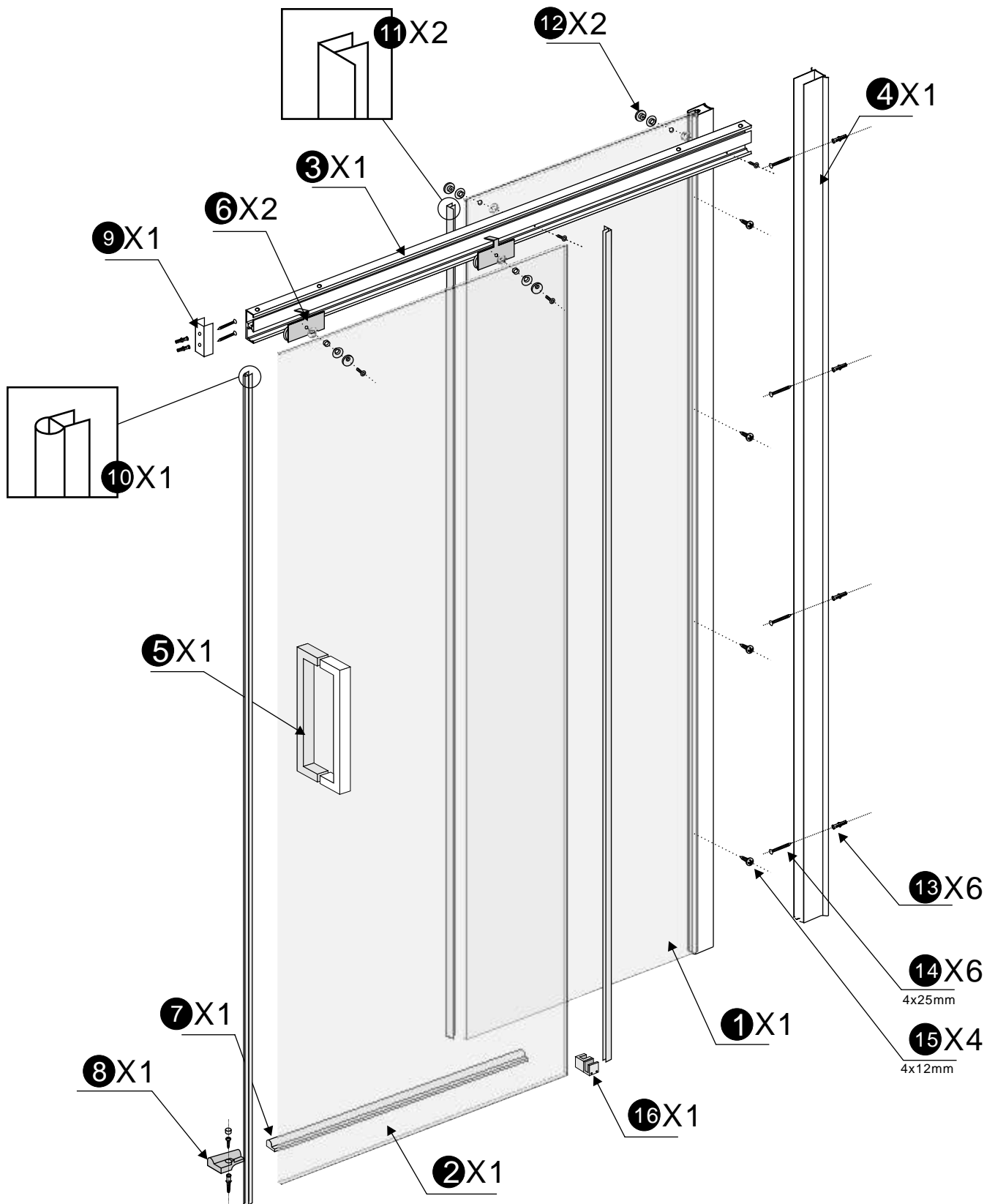


**Magnetic crosshead screwdriver**



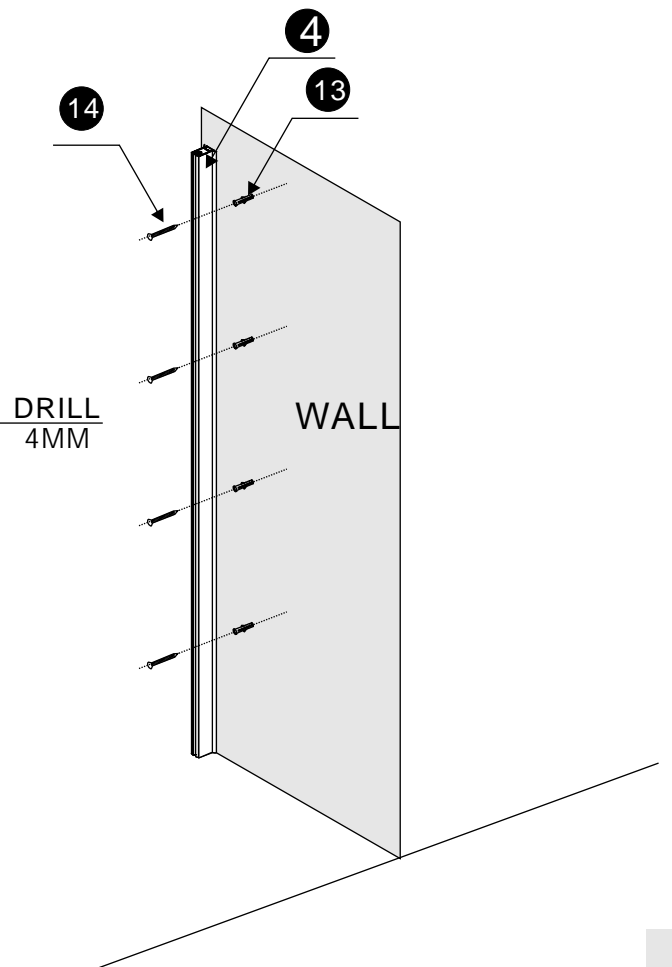
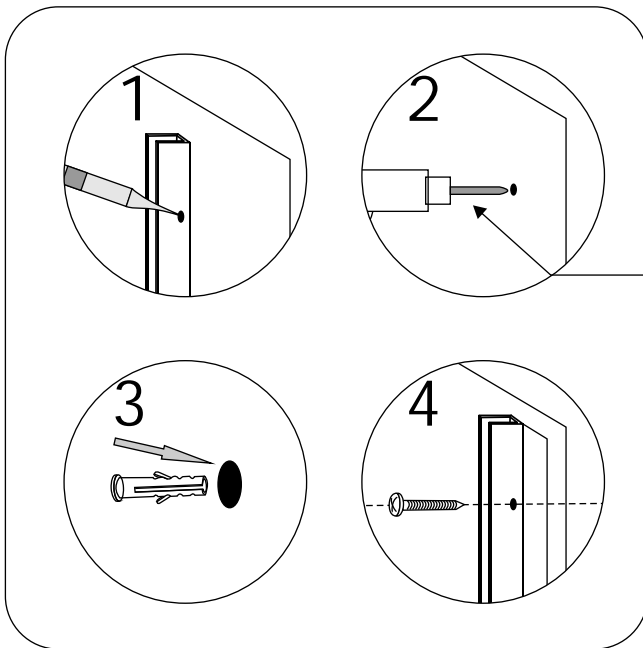
**Level**

# PF -006 Installation instructions



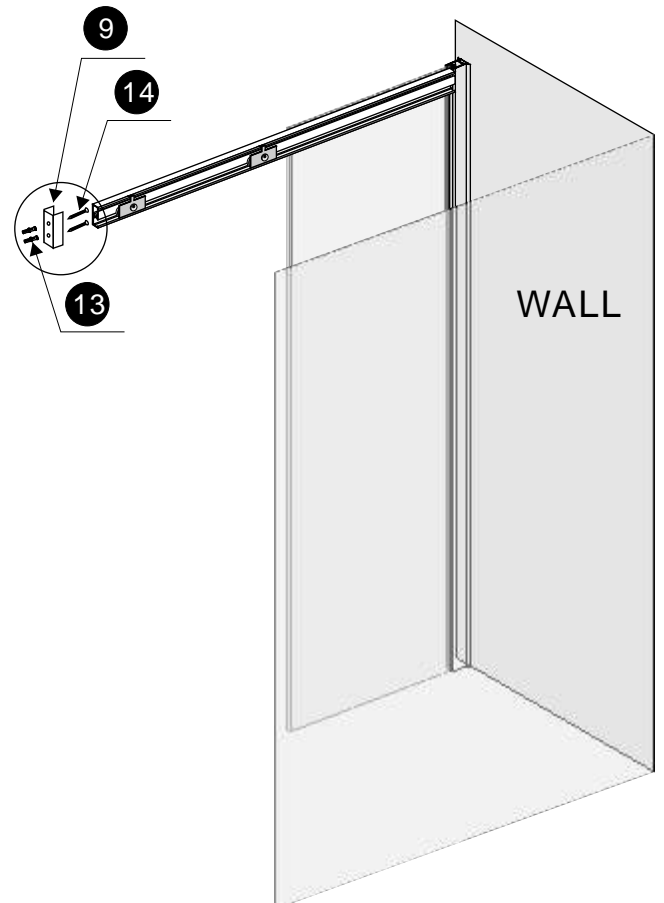
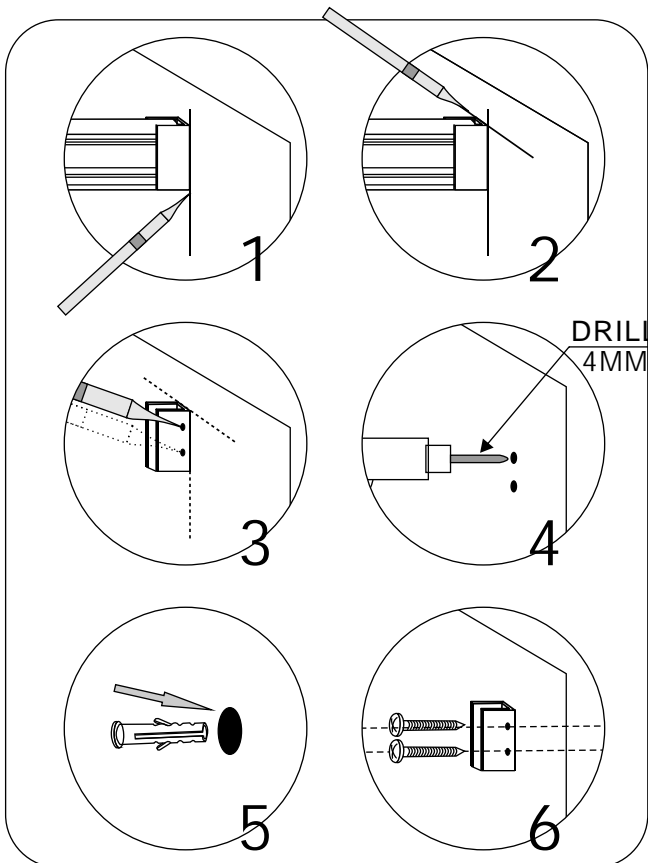
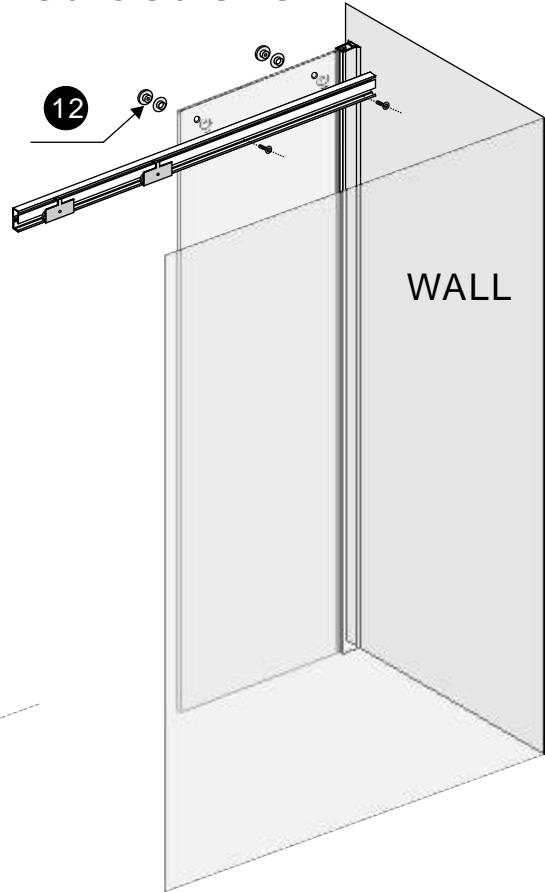
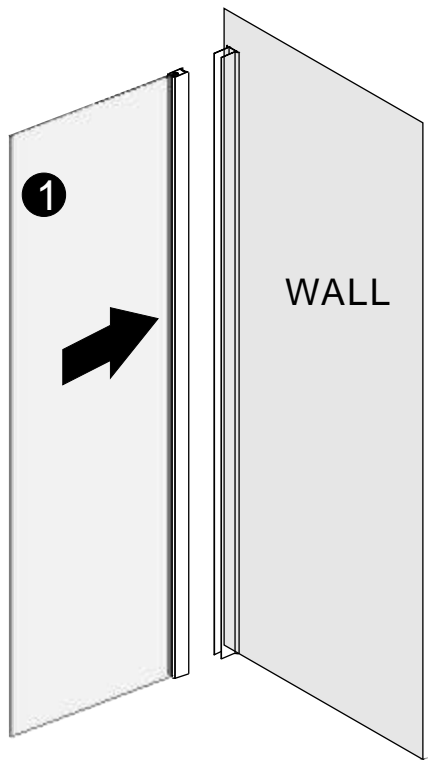
# PF -006

## Installation instructions



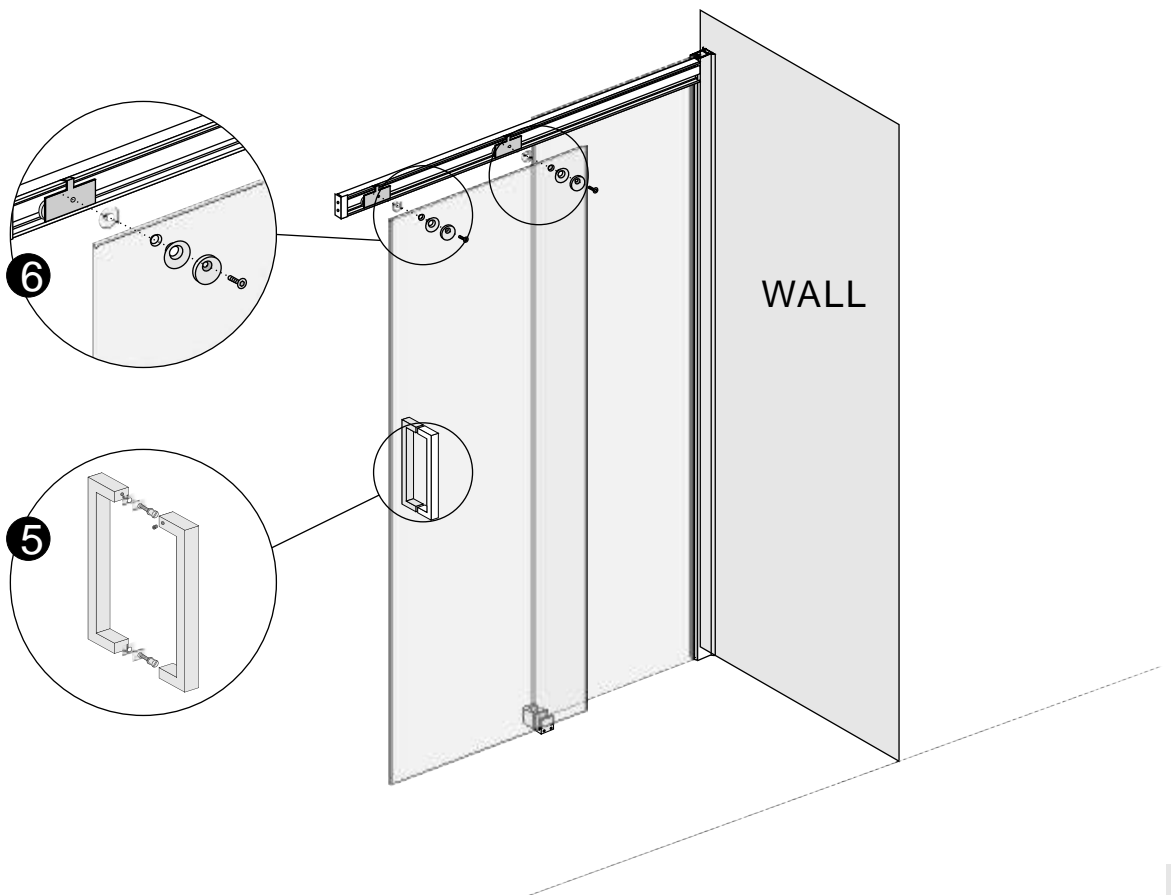
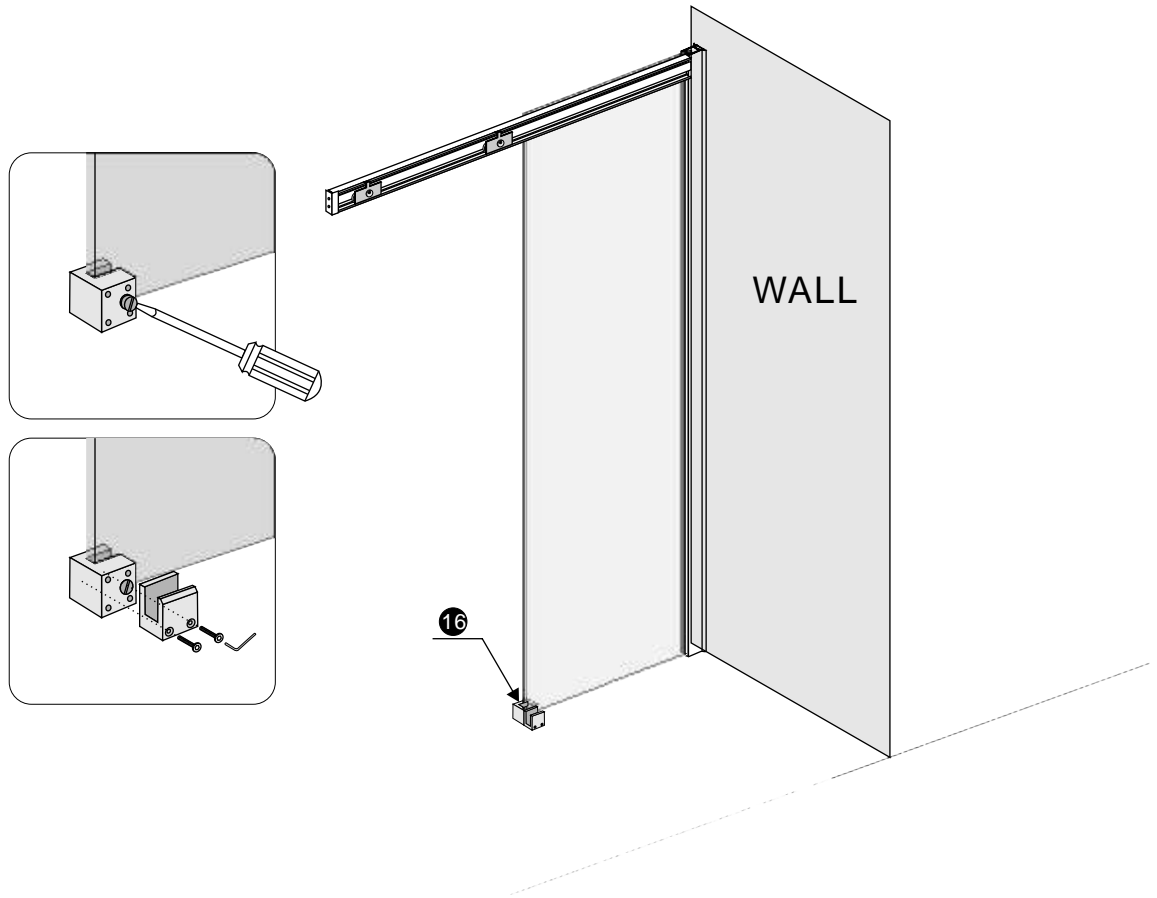
PF -006

Installation instructions

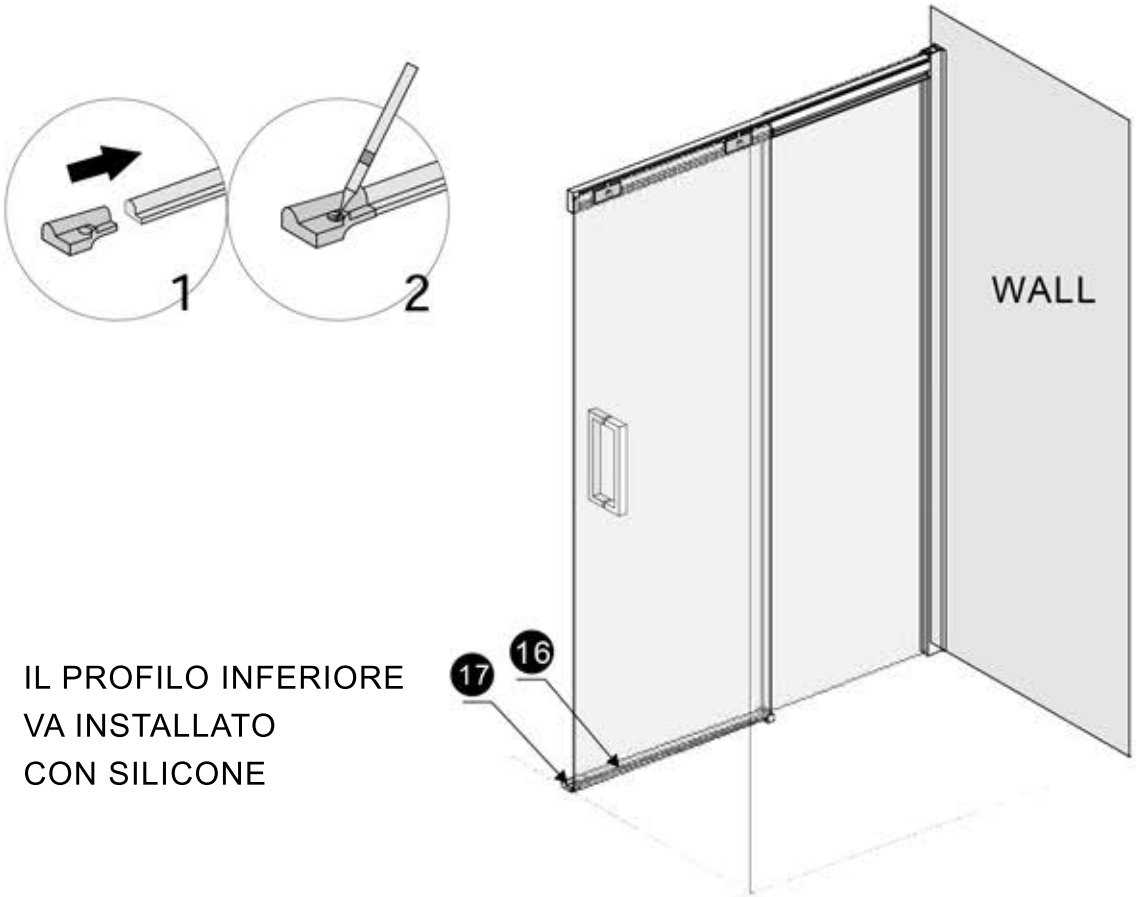


# PF -006

## Installation instructions



**Installation instructions**



IL PROFILO INFERIORE  
VA INSTALLATO  
CON SILICONE

