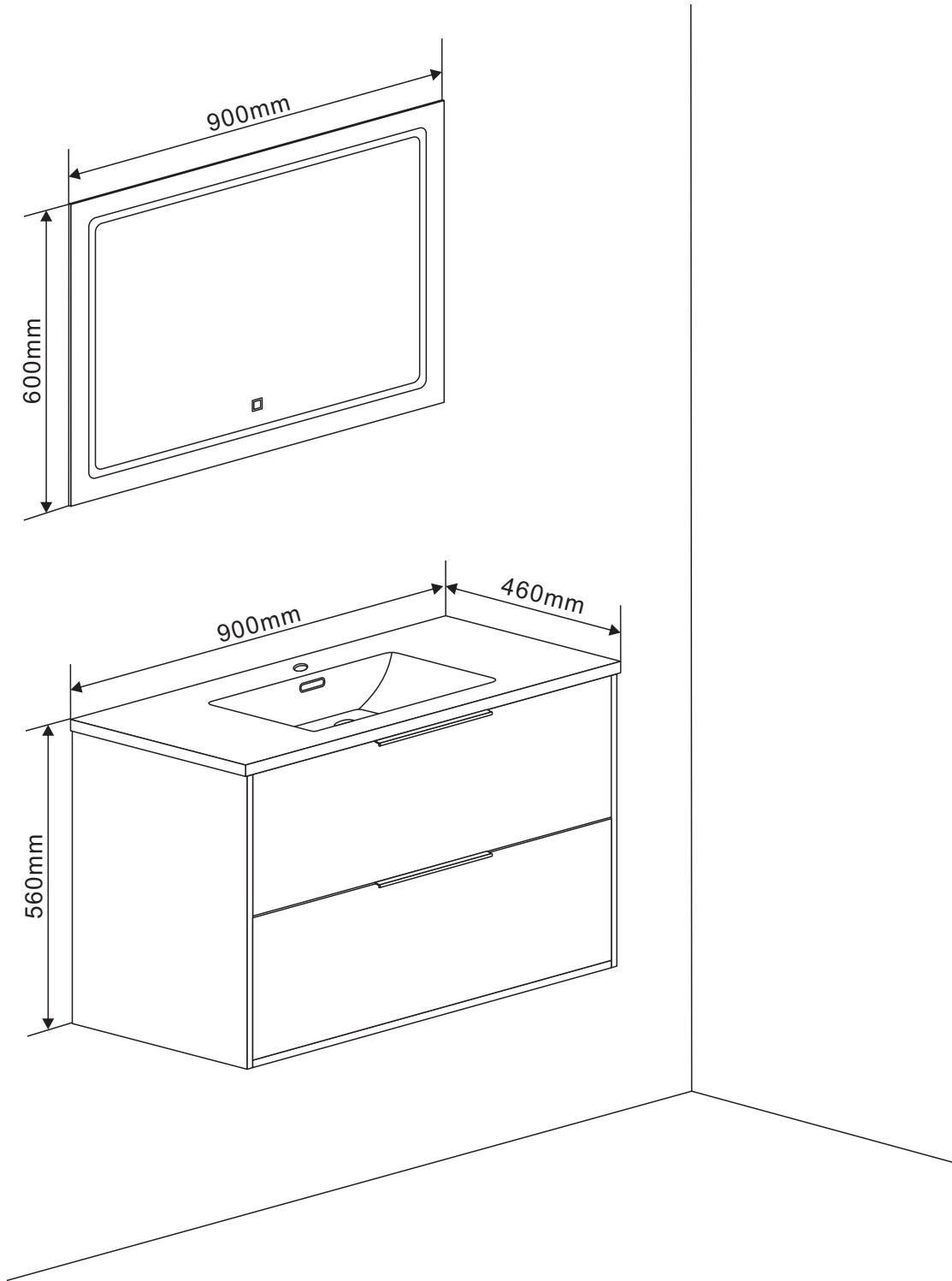


# DK90

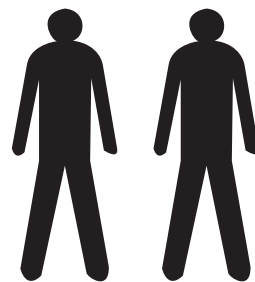
## INSTALL INSTRUCTION



# TOOLS REQUIRED

when you're ready to start. Make sure that you have the following tools to hand, plenty of space and a clean dry area for assembly.

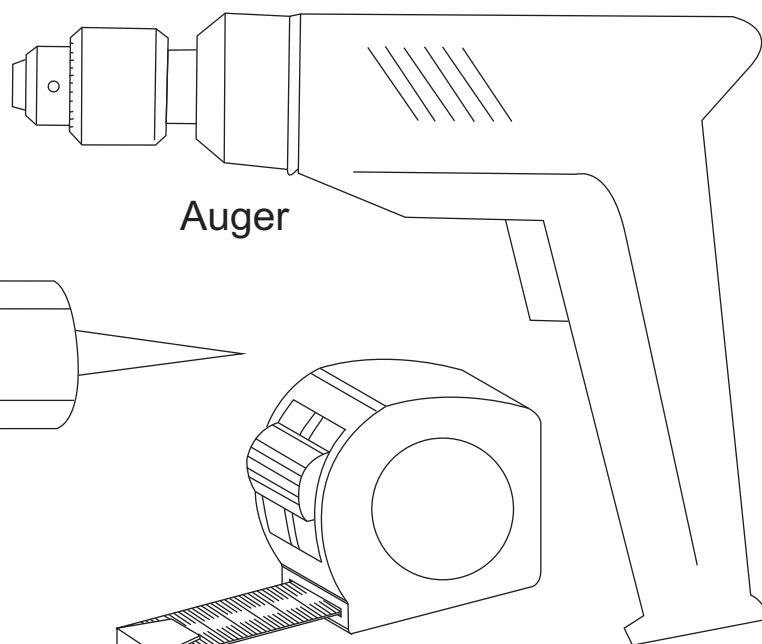
Two people are needed. Please note: although these instructions are comprehensive, we always recommend that a technically competent installer should undertake installation.



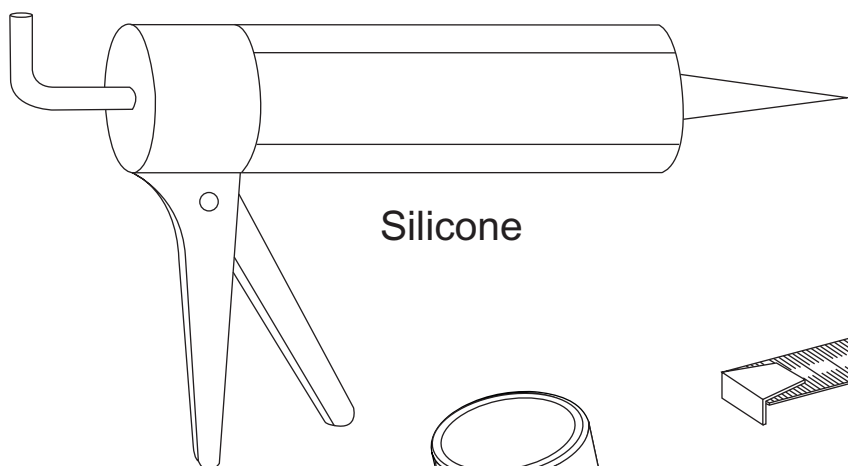
Drill beat head 10mm



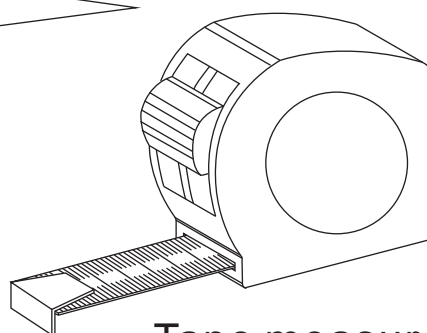
Drill beat head 8mm



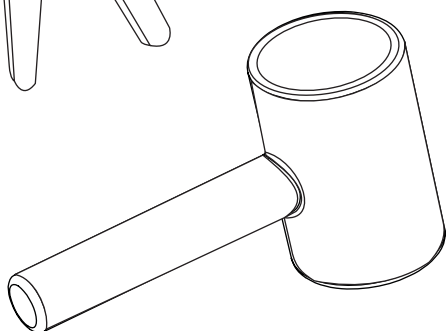
Auger



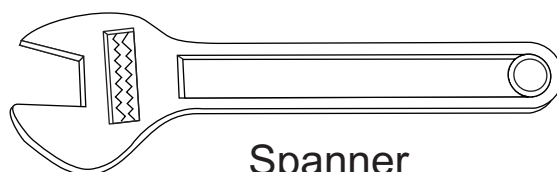
Silicone



Tape measure



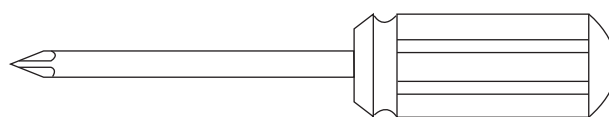
Rubber Mallet



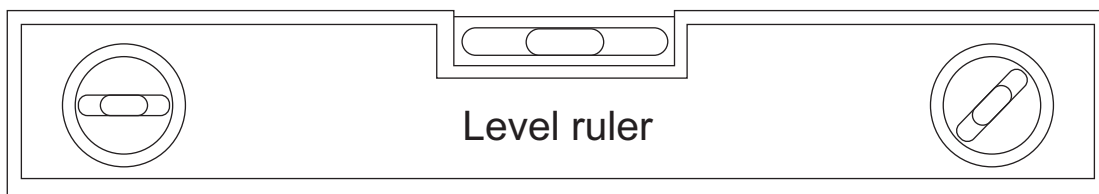
Spanner



Pencil

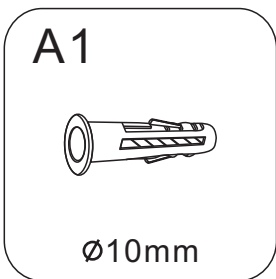
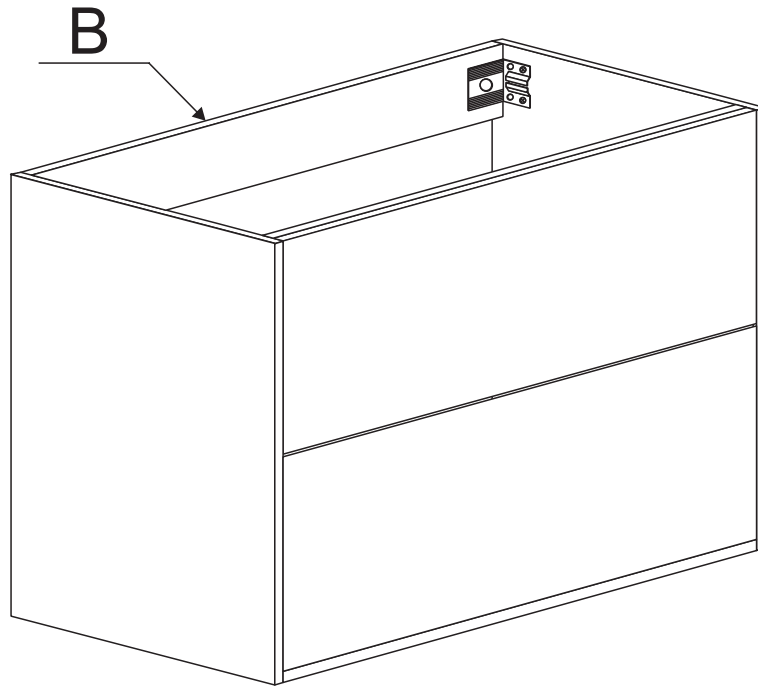
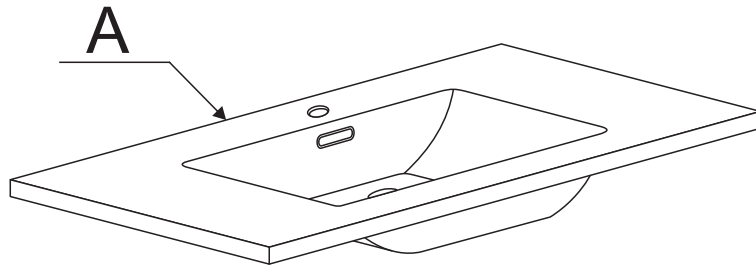


Magnetic crosshead screwdriver



Level ruler

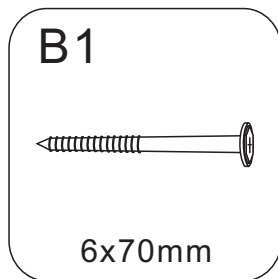
# Cabinet



A1

Ø10mm

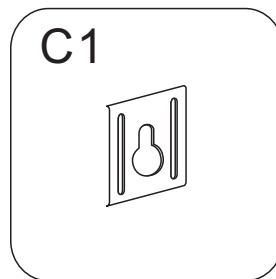
PCS4



B1

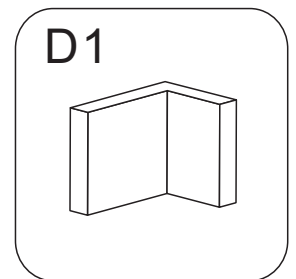
6x70mm

PCS4



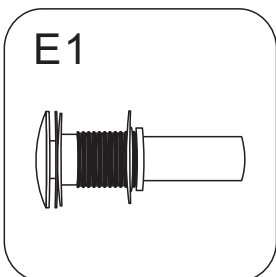
C1

PCS4



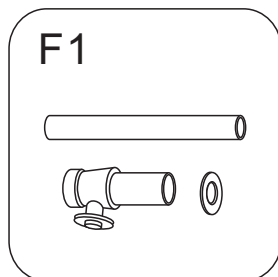
D1

PCS4



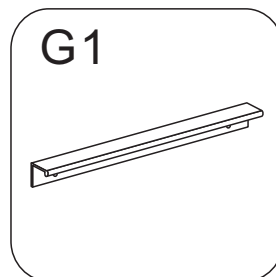
E1

PCS1



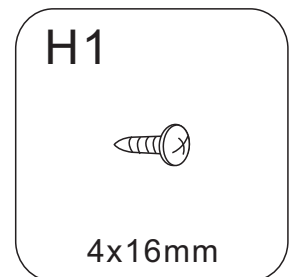
F1

PCS1



G1

PCS2

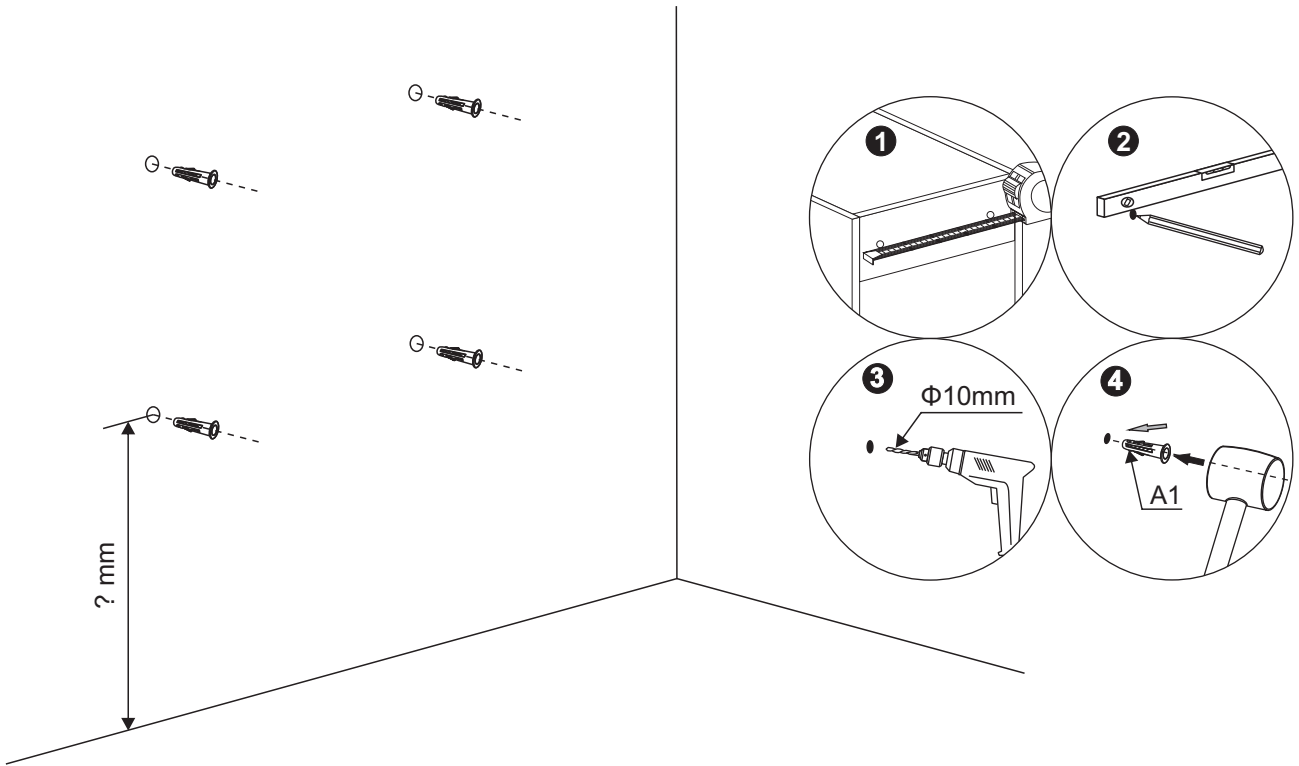


H1

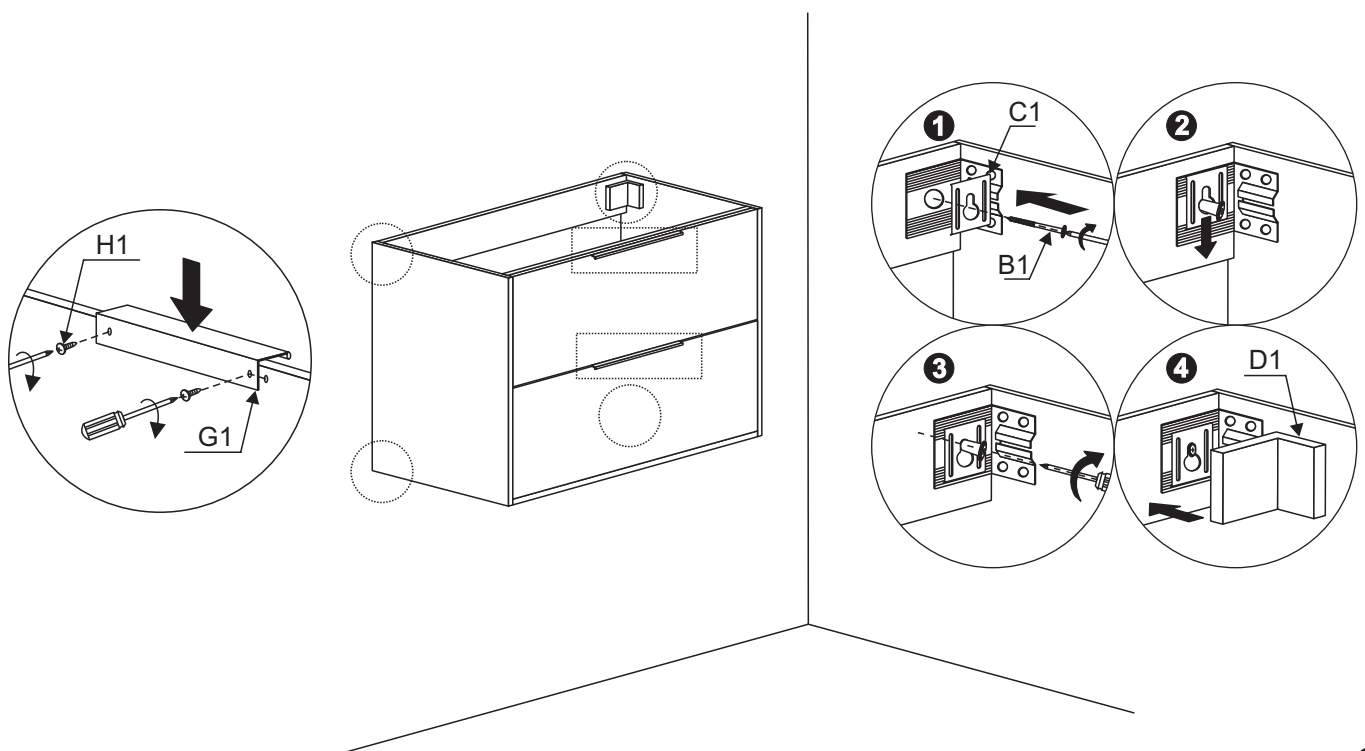
4x16mm

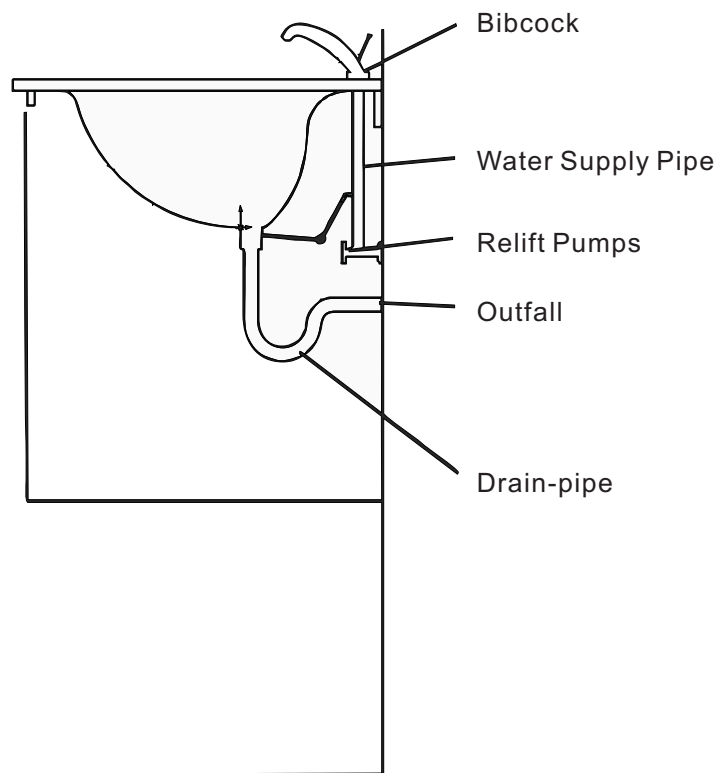
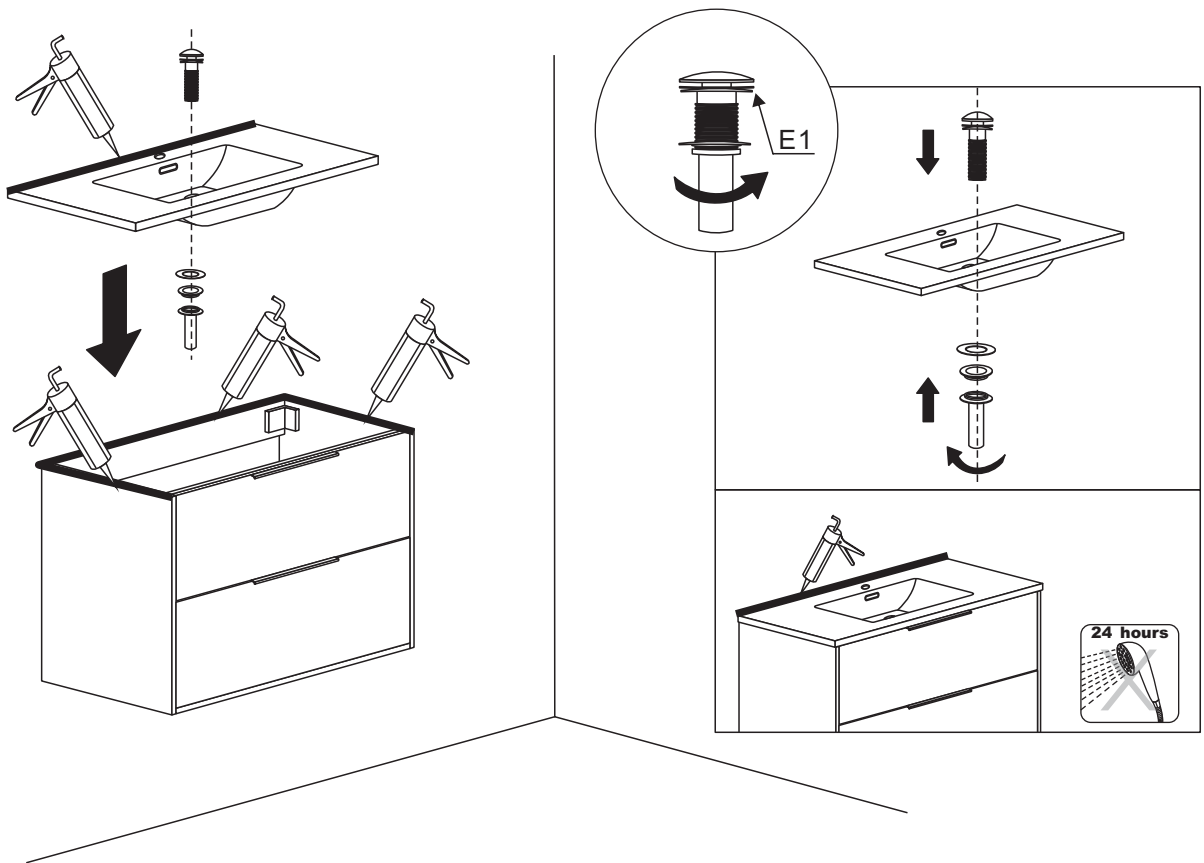
PCS4

Choose a place you want to install the furniture, mark on the wall with a pencil according to the length and height of the furniture. Then drill holes on the wall with  $\Phi 10\text{mm}$  drilling.

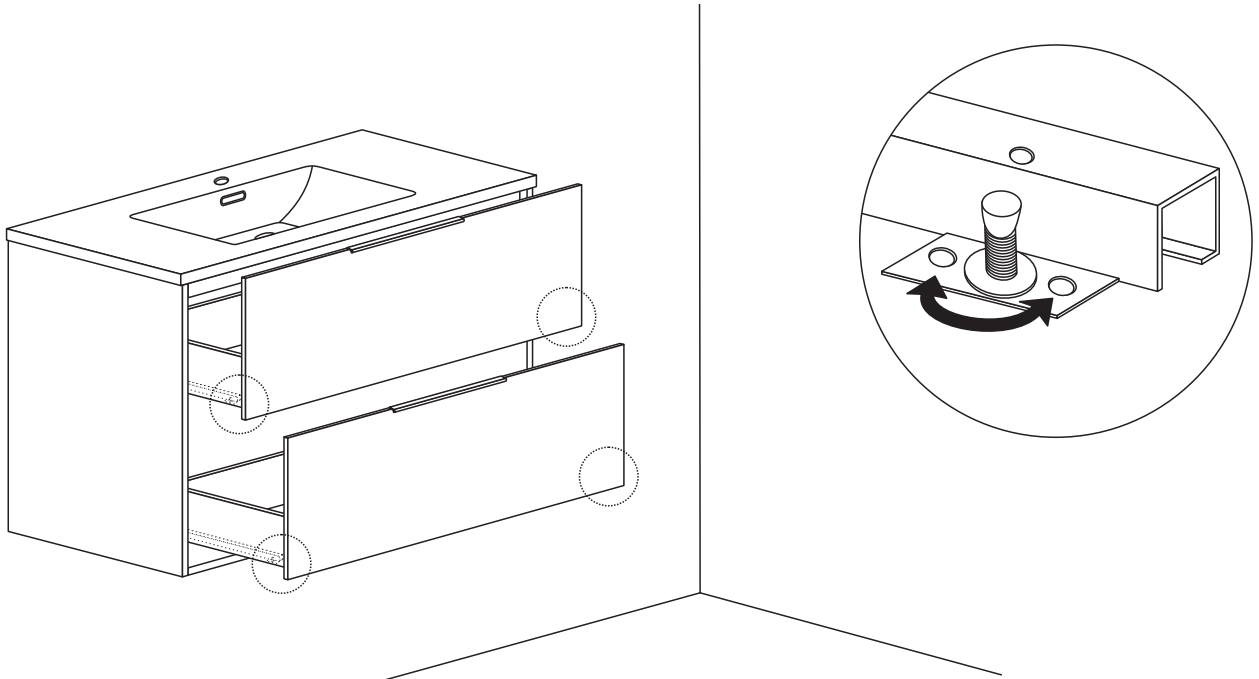


"?" you can adjust as you need.

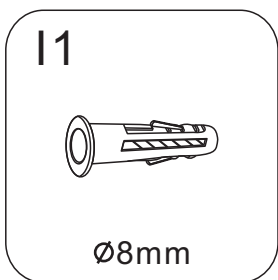
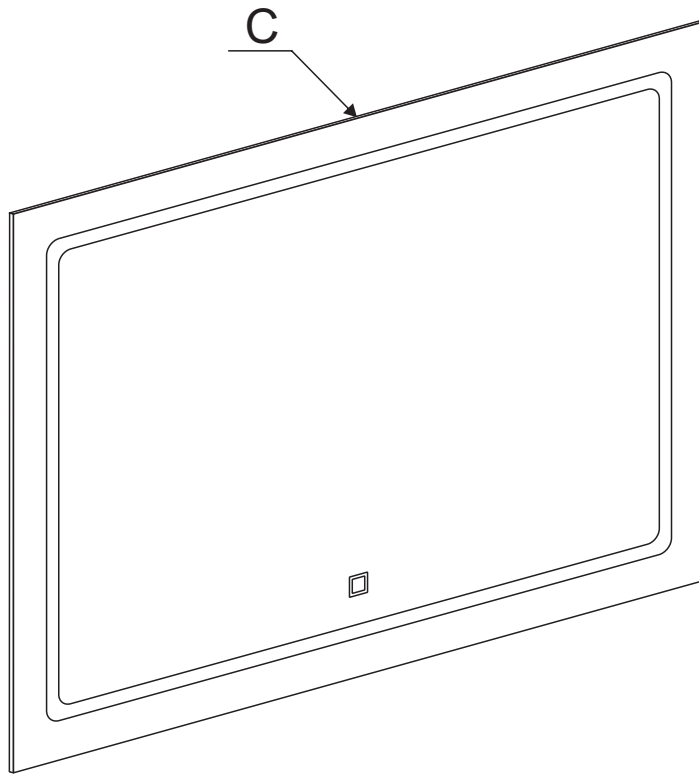




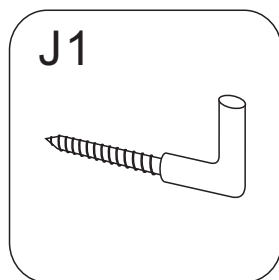
Maybe you will find the drawers is not flat after you finish installation. In this case, you can adjust the drawers by yourself. You can see there is a gasket beside the sliding rail. If you want the drawer upside, then rotate the gasket counterclockwise slightly, if you want the drawer downside, then rotate the gasket clockwise slightly.



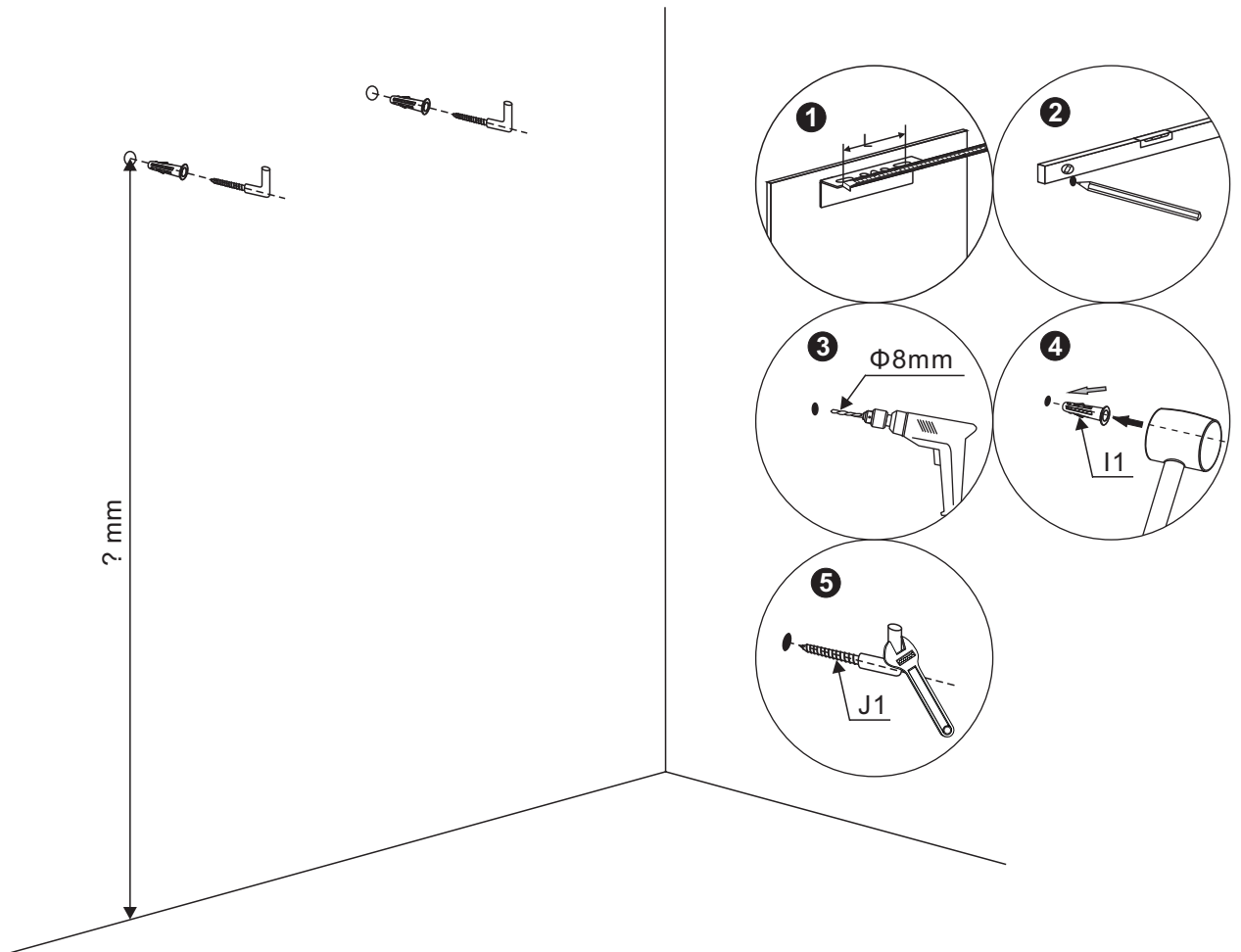
# Mirror



PCS2



PCS2



“?” you can adjust as you need.

